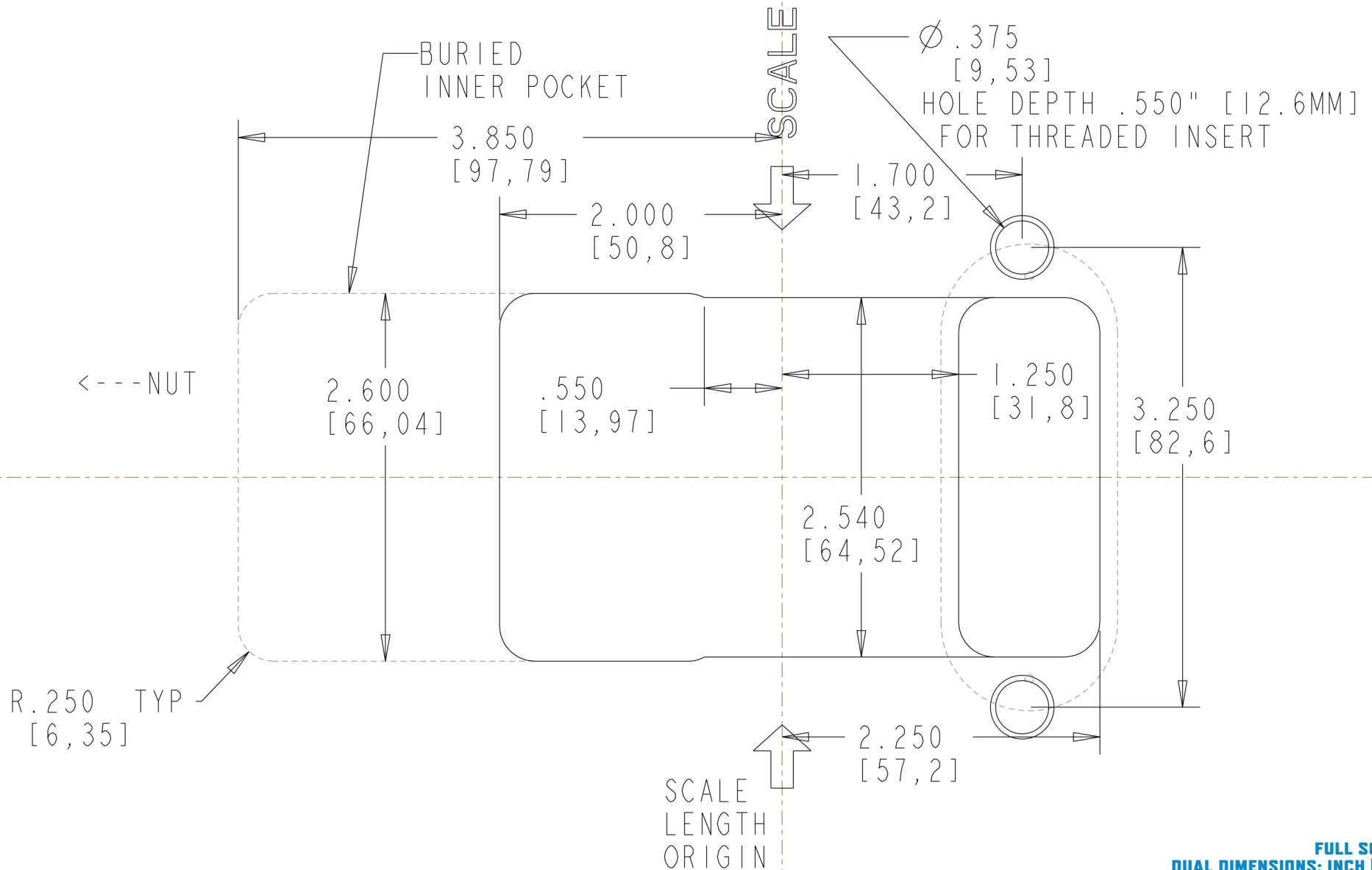
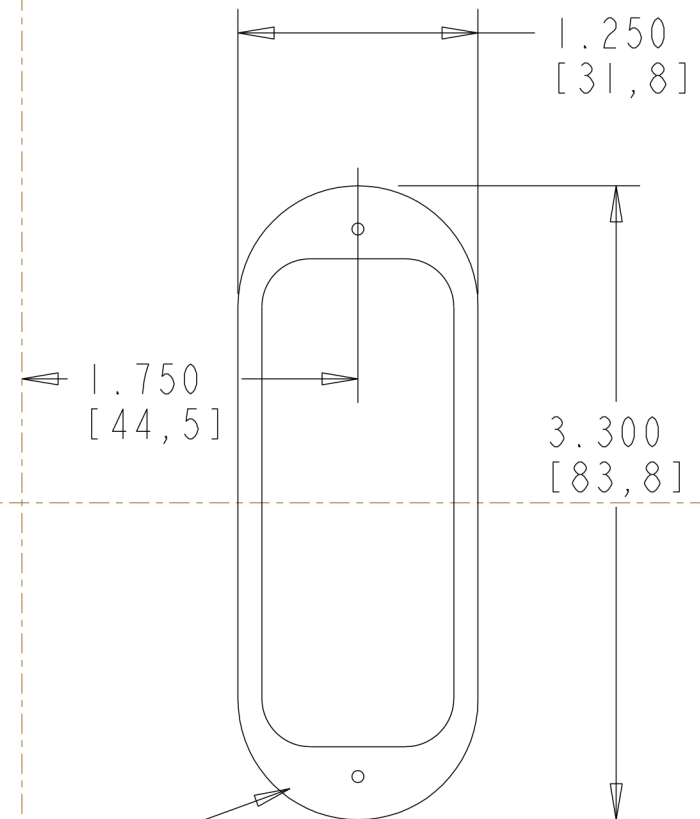


TOP VIEW SHEET



BOTTOM VIEW SHEET

<--- NUT

SCALE
LENGTH
ORIGIN

RECESS FOR STRING PLATE

SECTION VIEW SHEET

