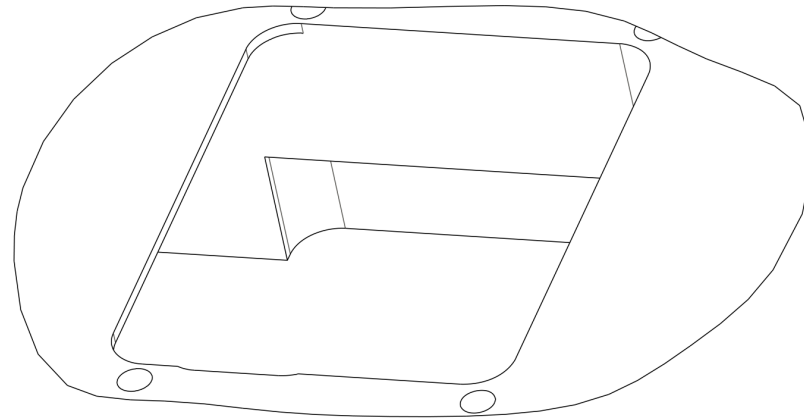


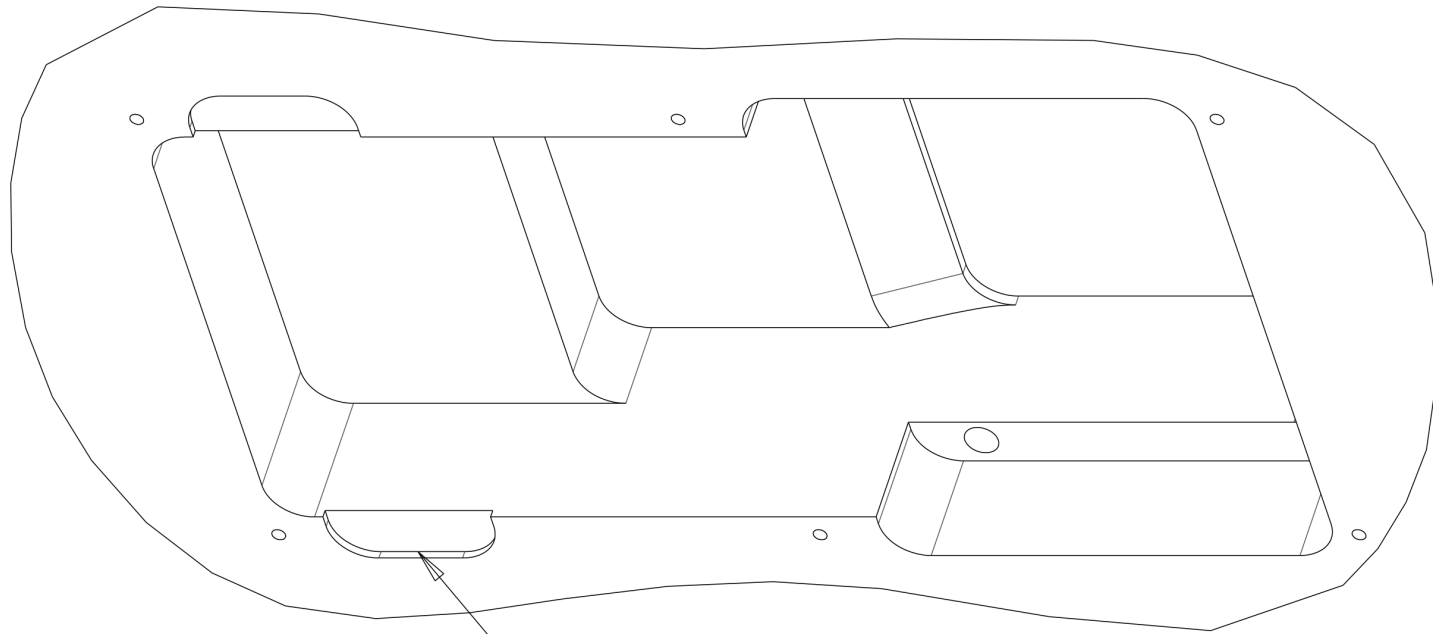
## ISOMETRIC VIEWS

&lt;---NUT



SEEN FROM ABOVE

&lt;--- NUT

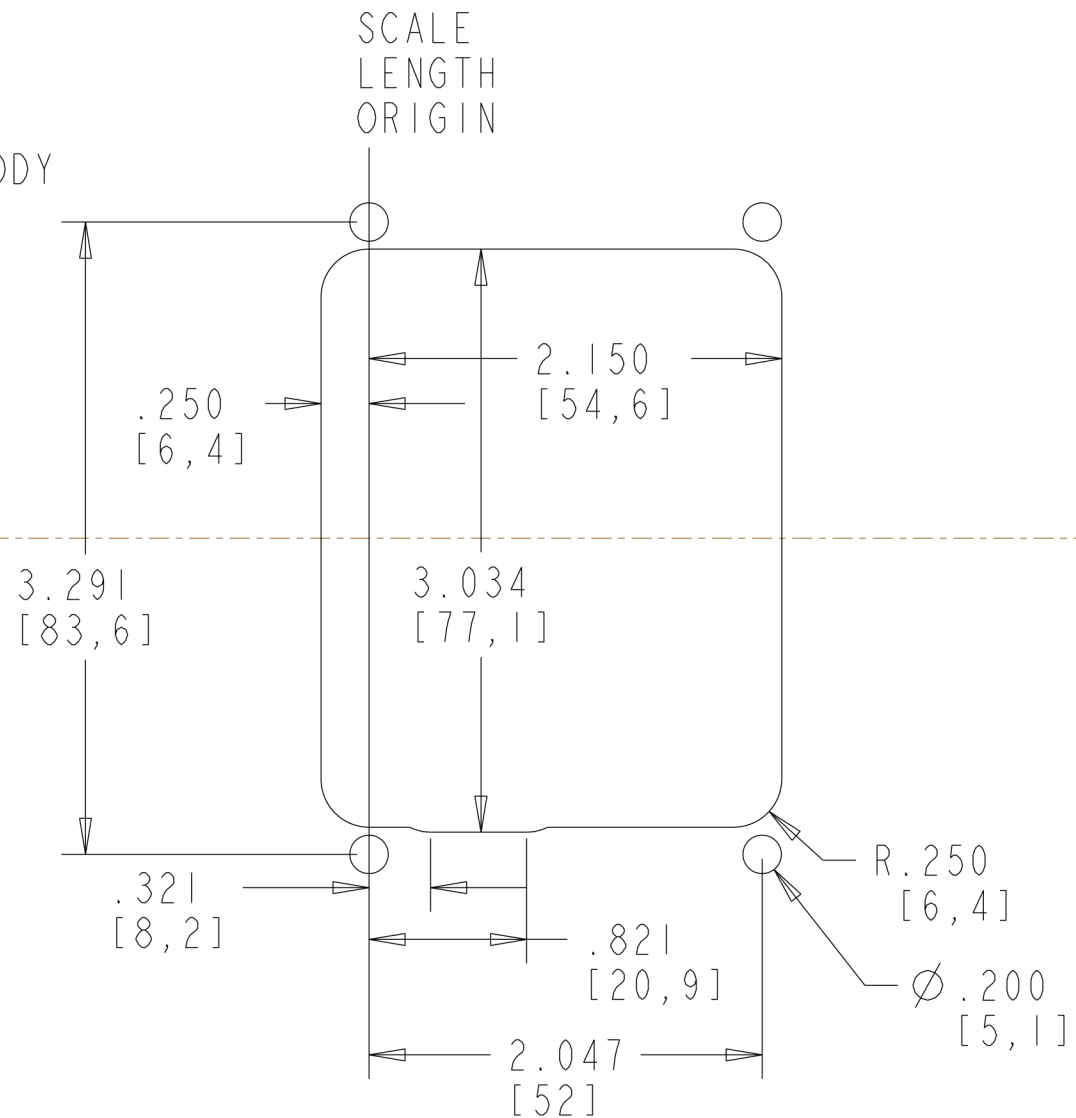


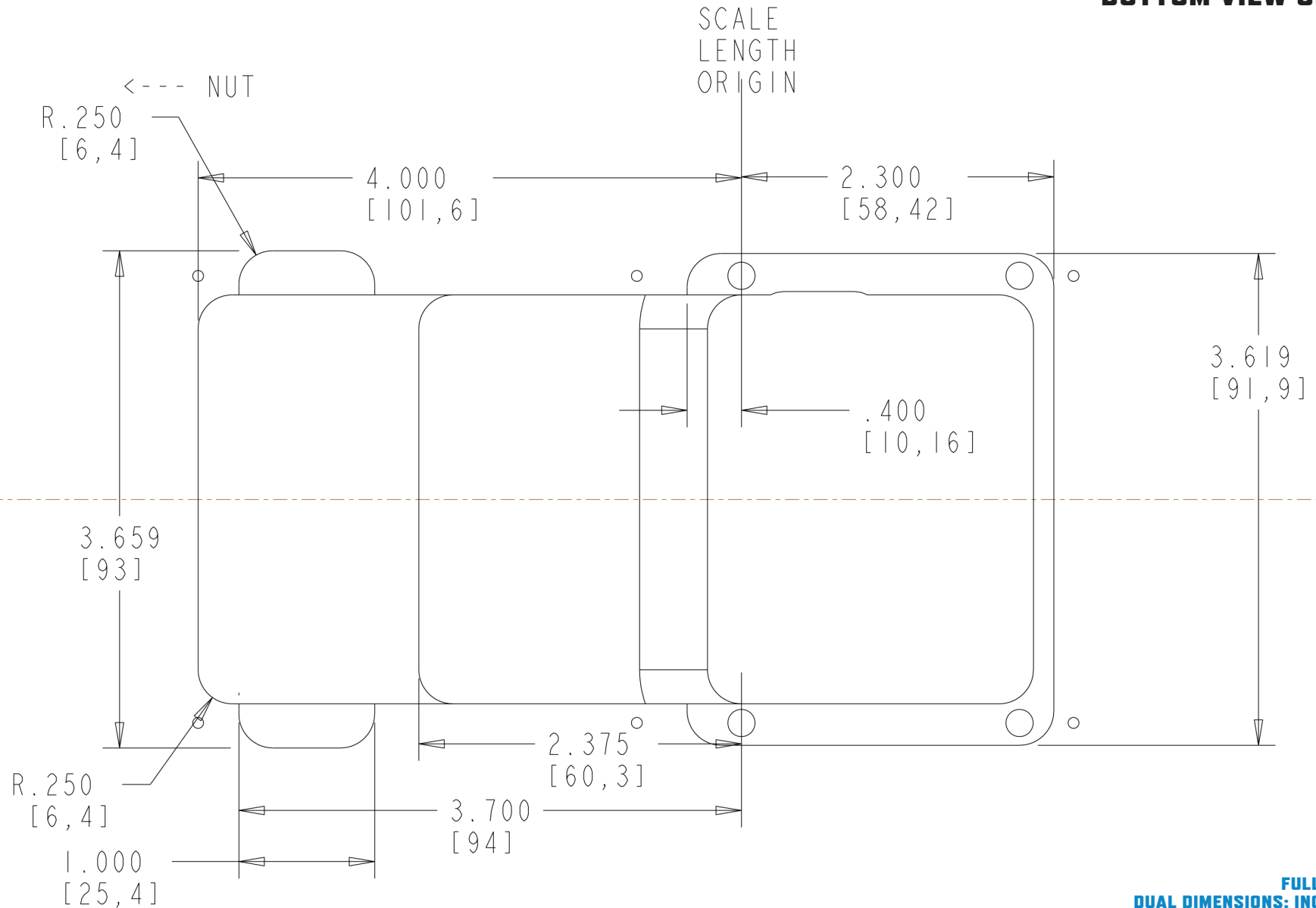
SEEN FROM BELOW

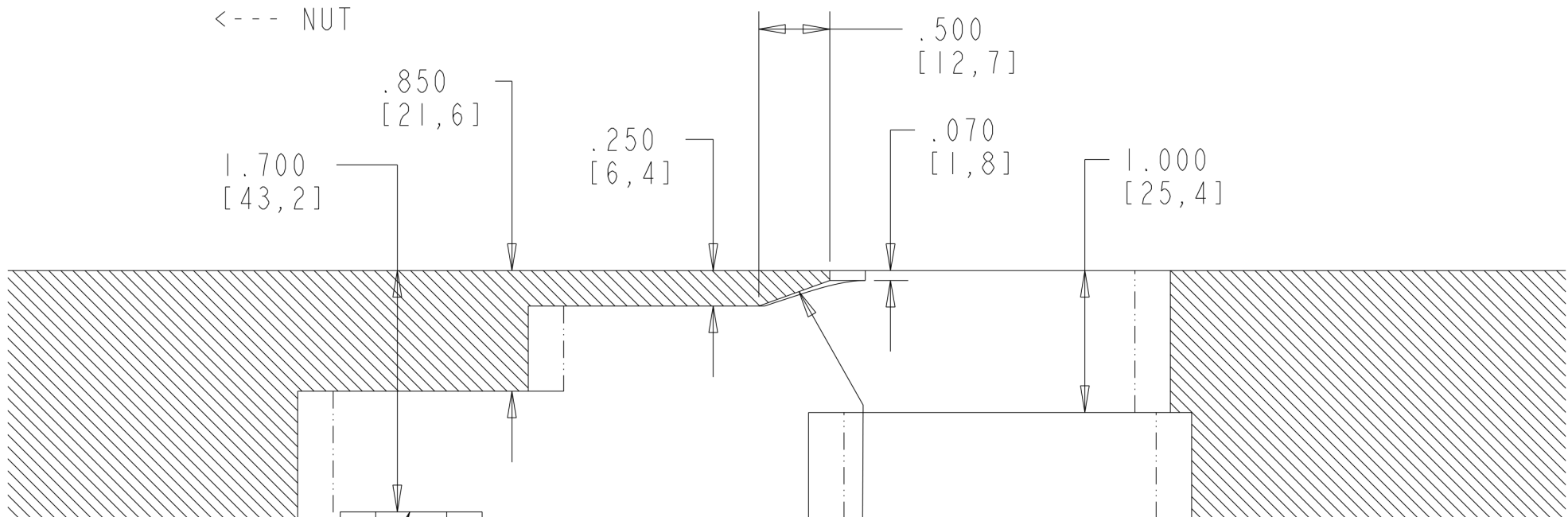
RECESS FOR  
FOOTPLATE

1). FOUR MOUNTING HOLES  
 AND POCKET ARE ROUTED  
 THROUGH FULL DEPTH OF BODY

<--- NUT



**BOTTOM VIEW SHEET**


**SECTION VIEW SHEET**


RECESS FOR  
FOOTPLATE

1). .250" THICK CHAMFERED WOOD SECTION BETWEEN BRIDGE ROUTE AND BRIDGE PICKUP CAN BE REMOVED FOR APPLICATIONS WITH PICKGUARDS

