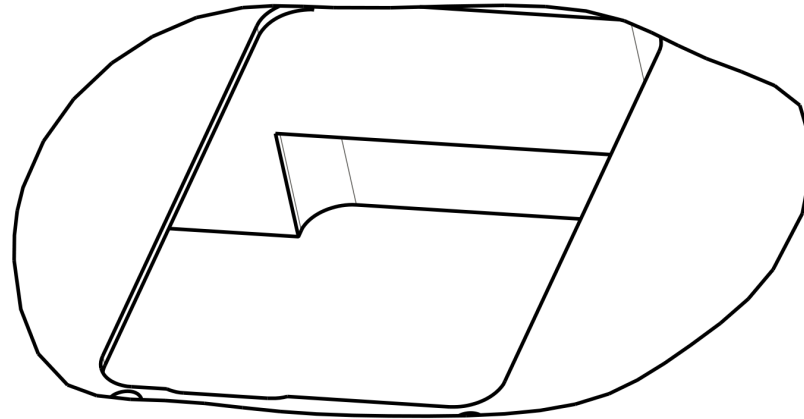


ISOMETRIC VIEWS

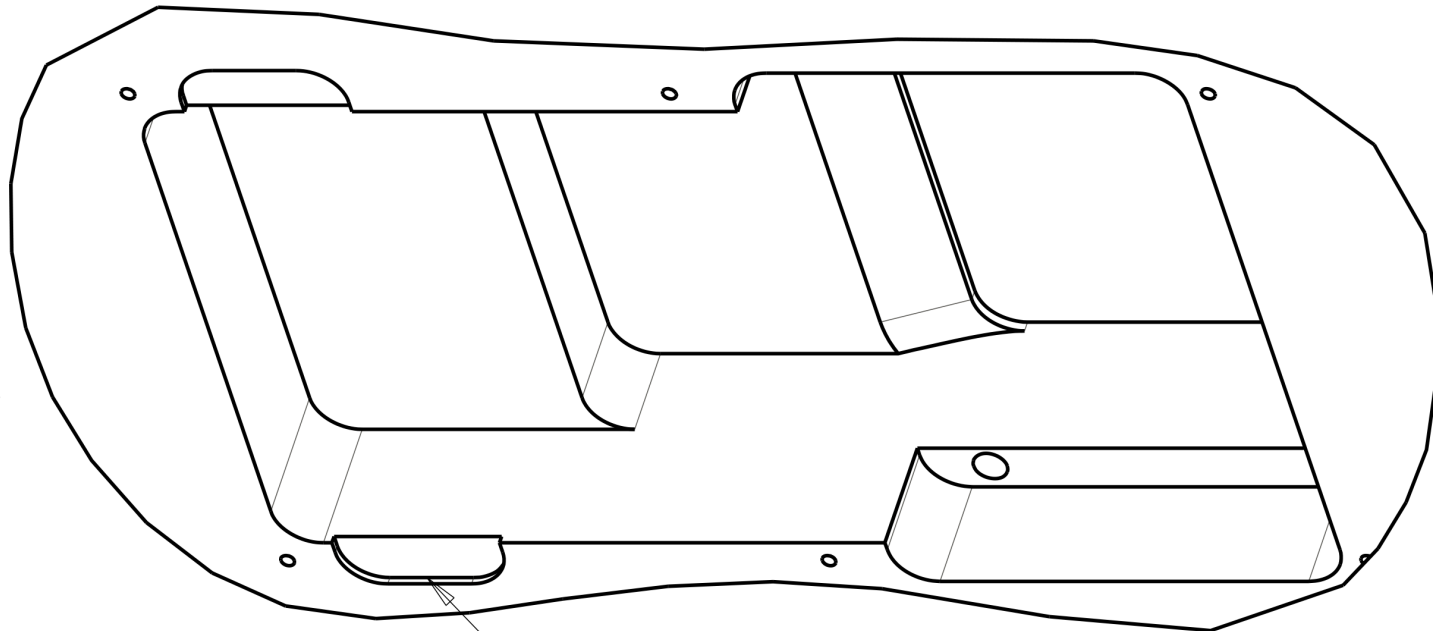
<---NUT

SEEN FROM ABOVE



<--- NUT

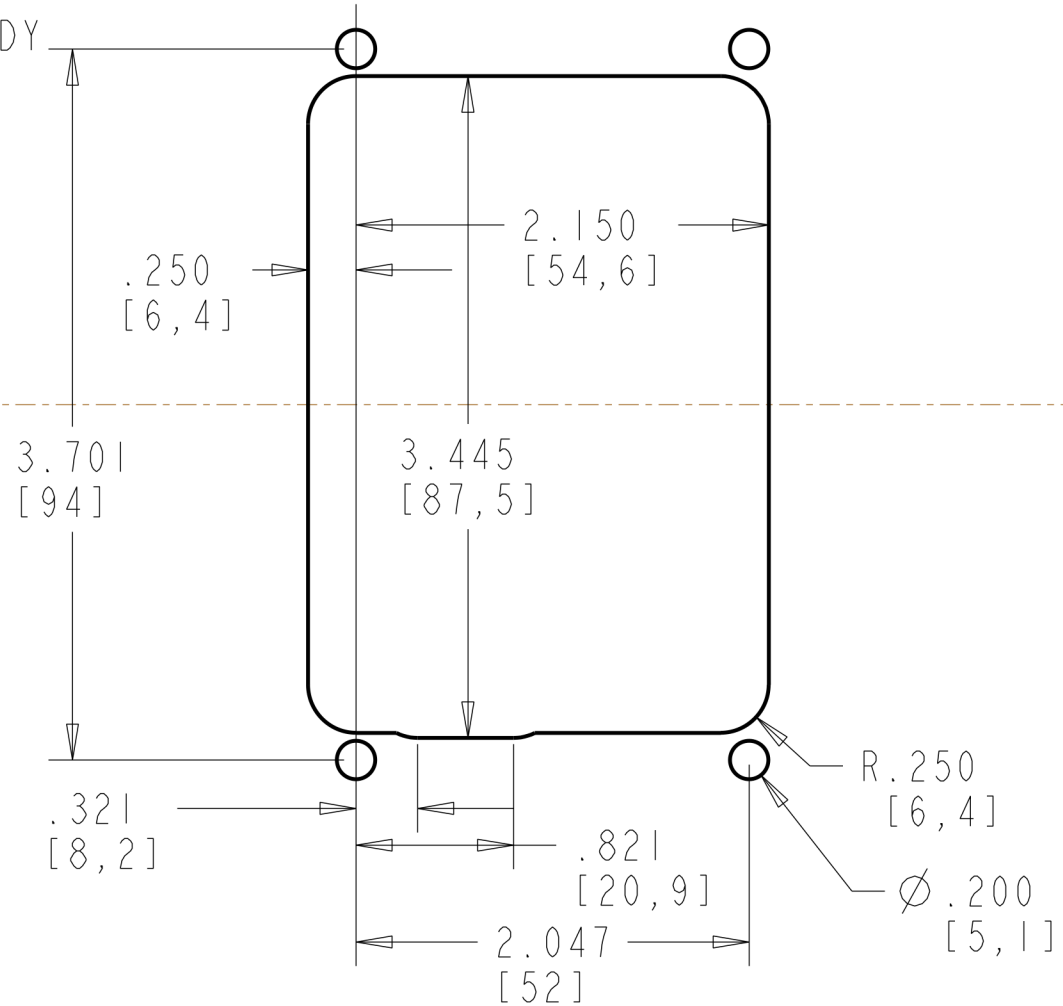
SEEN FROM BELOW

RECESS FOR
FOOTPLATE

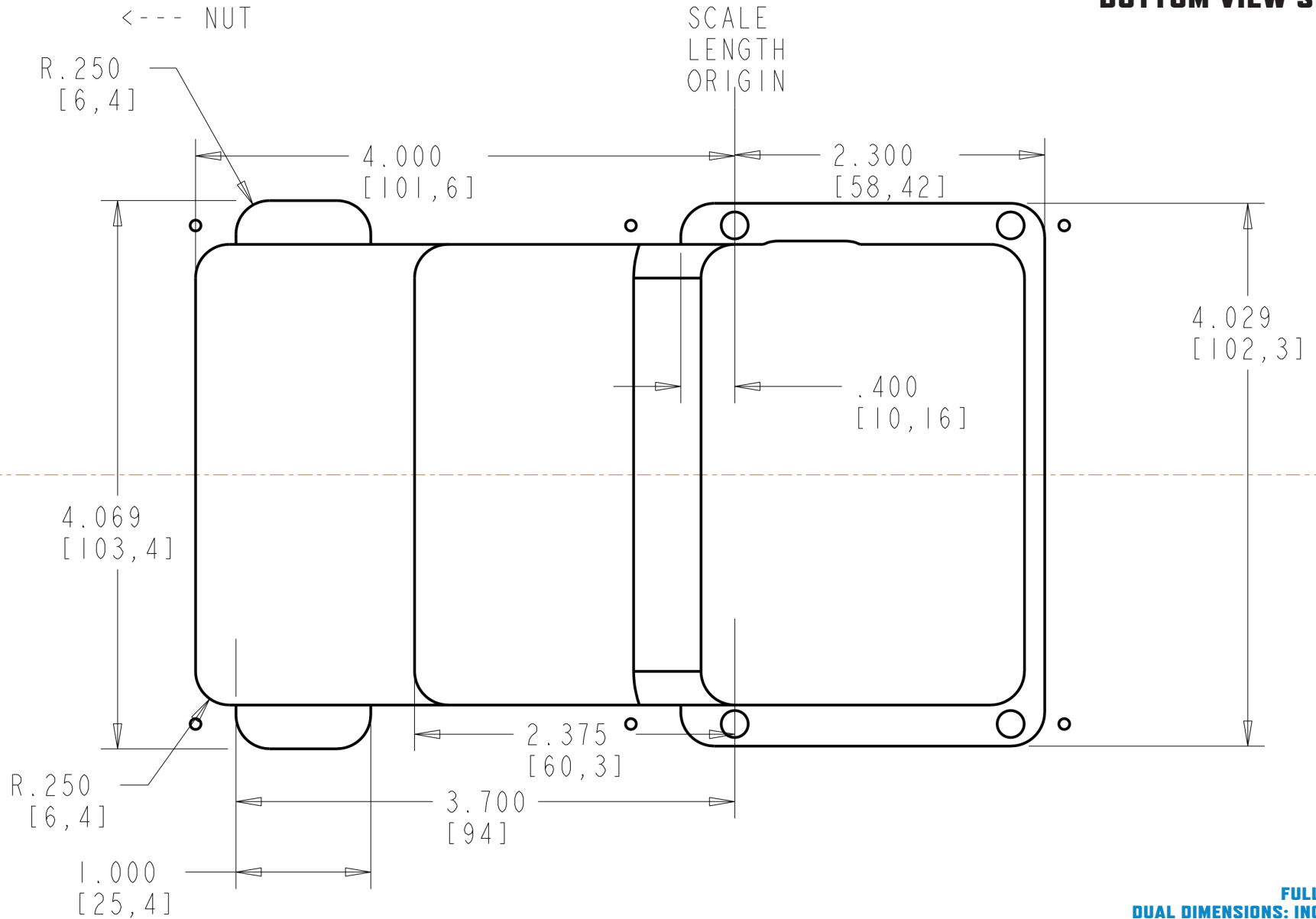
1). FOUR MOUNTING HOLES
 AND POCKET ARE ROUTED
 THROUGH FULL DEPTH OF BODY

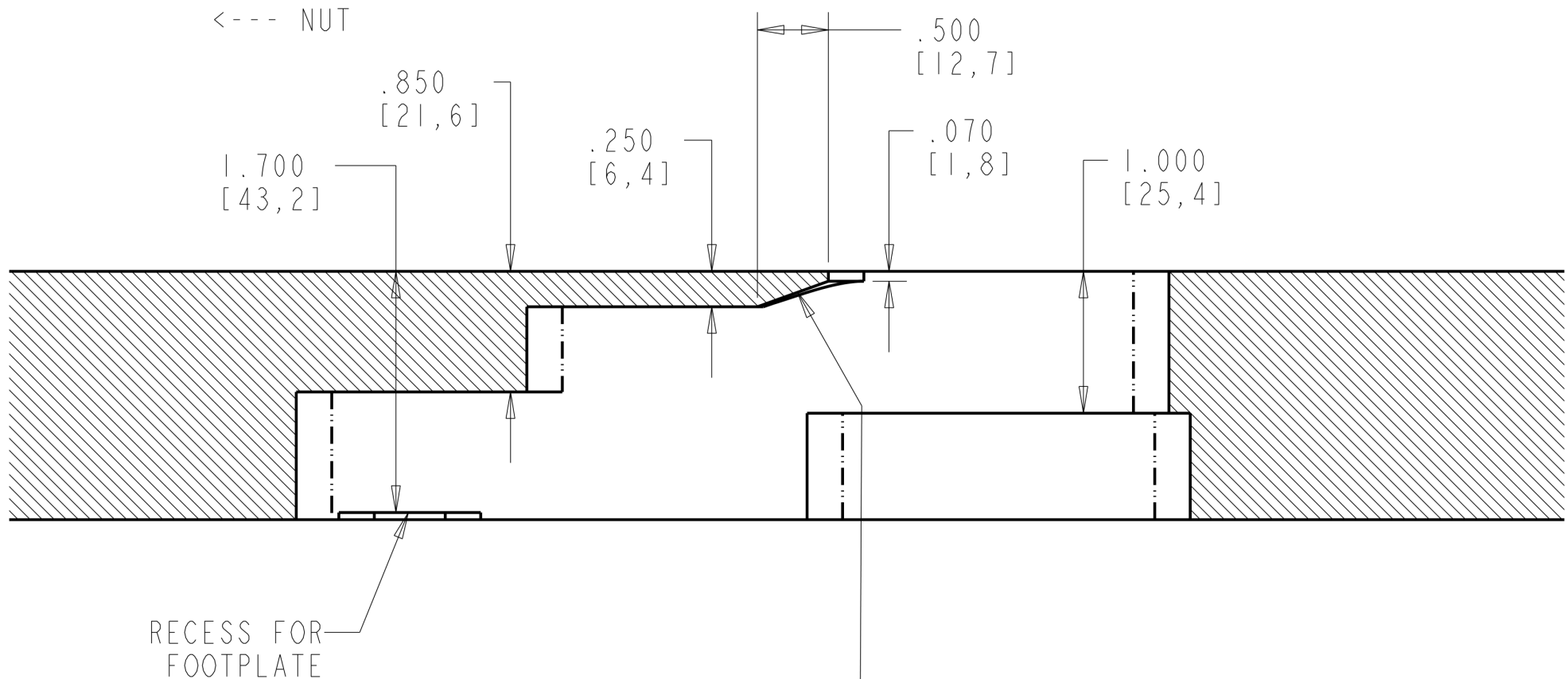
SCALE
 LENGTH
 ORIGIN

<--- NUT



BOTTOM VIEW SHEET



SECTION VIEW SHEET


1). .250" THICK CHAMFERED WOOD SECTION BETWEEN BRIDGE ROUTE AND BRIDGE PICKUP CAN BE REMOVED FOR APPLICATIONS WITH PICKGUARDS

BOTTOM VIEW SHEET

1). SPOT DRILL SIX PLACES FOR BACKPLATE SCREWS

