

<---NUT

R.250 TYP
[6,35]

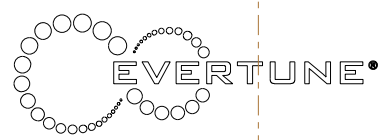
BURIED
INNER POCKET

SCALE

Ø .375
[9,53]
HOLE DEPTH .550" [12.6MM]
FOR THREADED INSERT

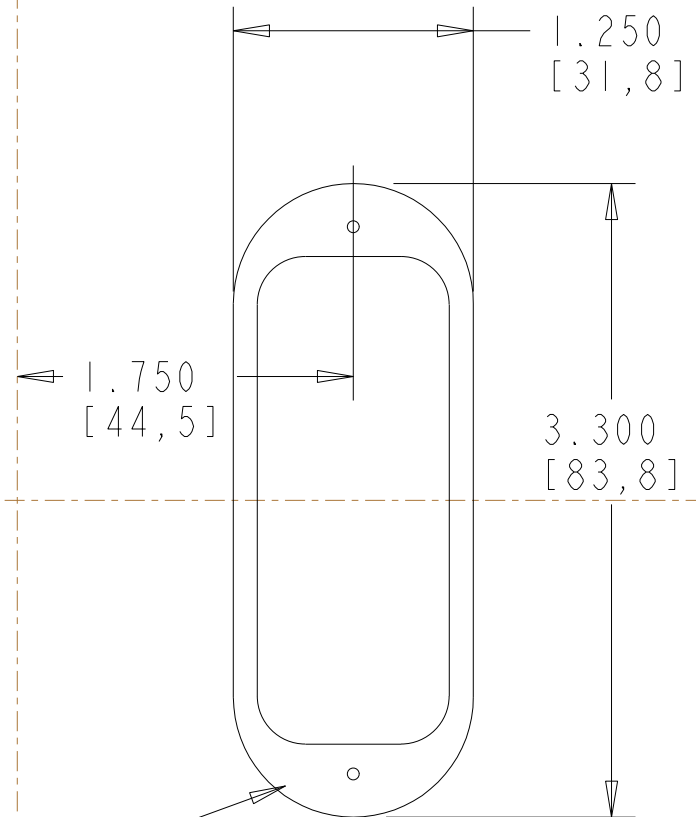
SCALE
LENGTH
ORIGIN

2011-05-02
ET001G BODY ROUTE
Top View SHEET 1 OF 3
EVERTUNE
FULL SCALE
DUAL DIMENSIONS: INCH [MM]



<--- NUT

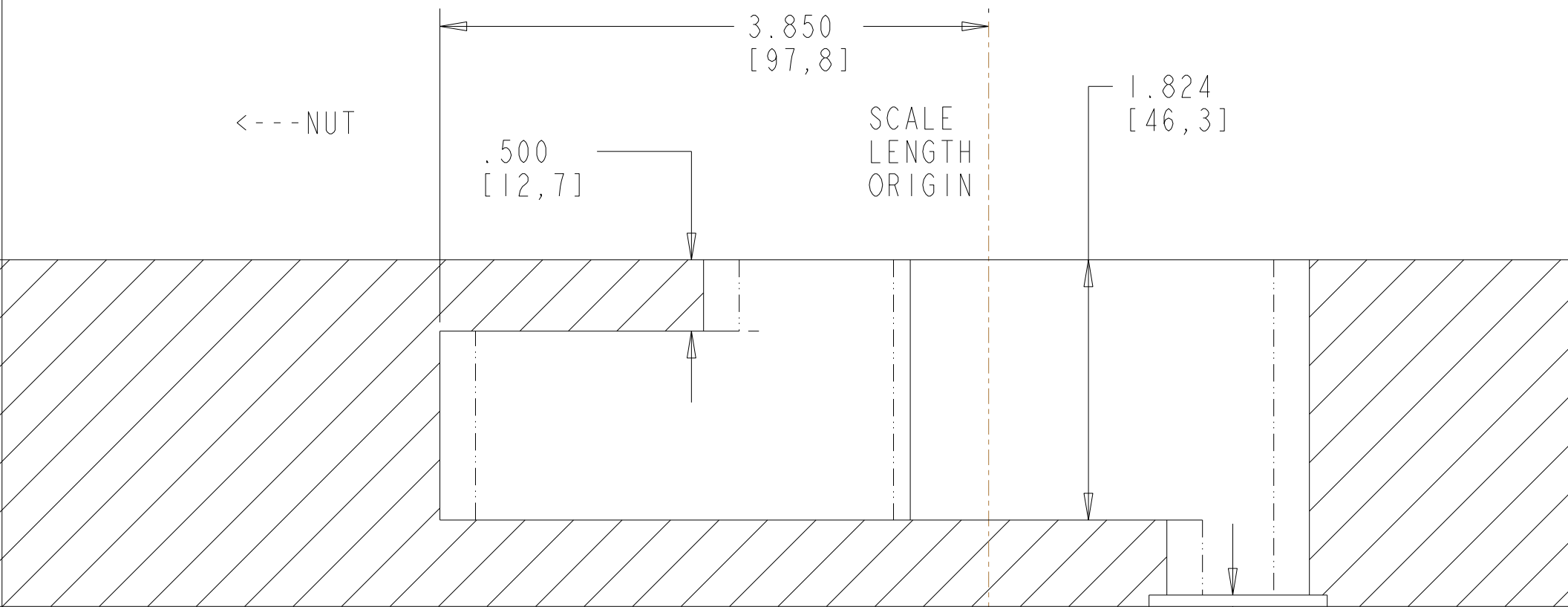
SCALE
LENGTH
ORIGIN



RECESS FOR STRING PLATE

2011-05-02
ET00IG BODY ROUTE
Bottom View SHEET 2 OF 3
EVERTUNE
FULL SCALE
DUAL DIMENSIONS: INCH [MM]





<--- NUT

.500
[12,7]

3.850
[97,8]

SCALE
LENGTH
ORIGIN

1.824
[46,3]

.080
[2]

2011-05-02
ET001G BODY ROUTE
Section View SHEET 3 OF 3



EVERTUNE
FULL SCALE
DUAL DIMENSIONS: INCH [MM]