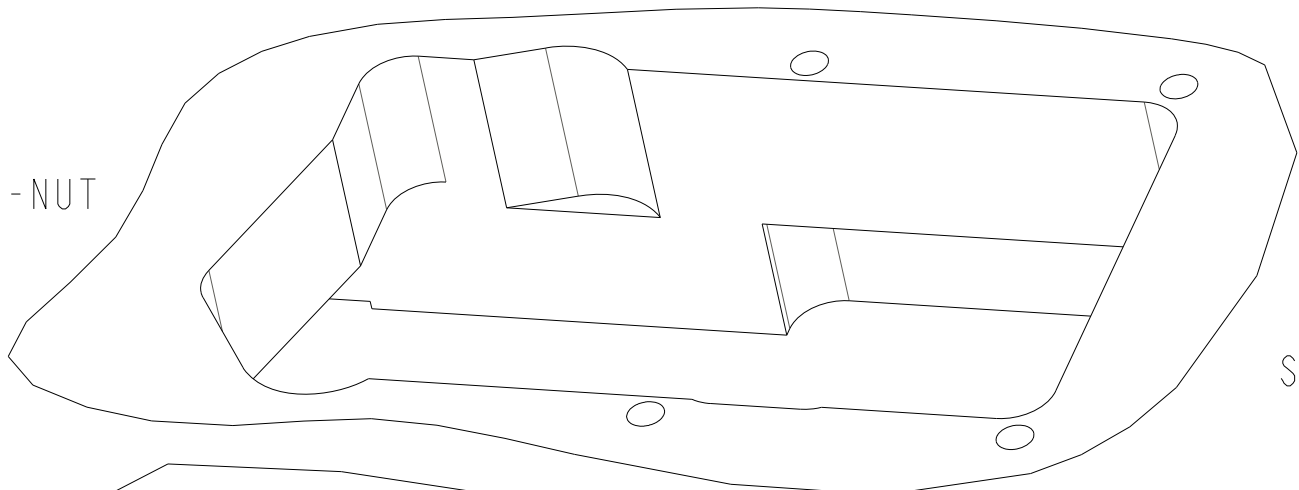
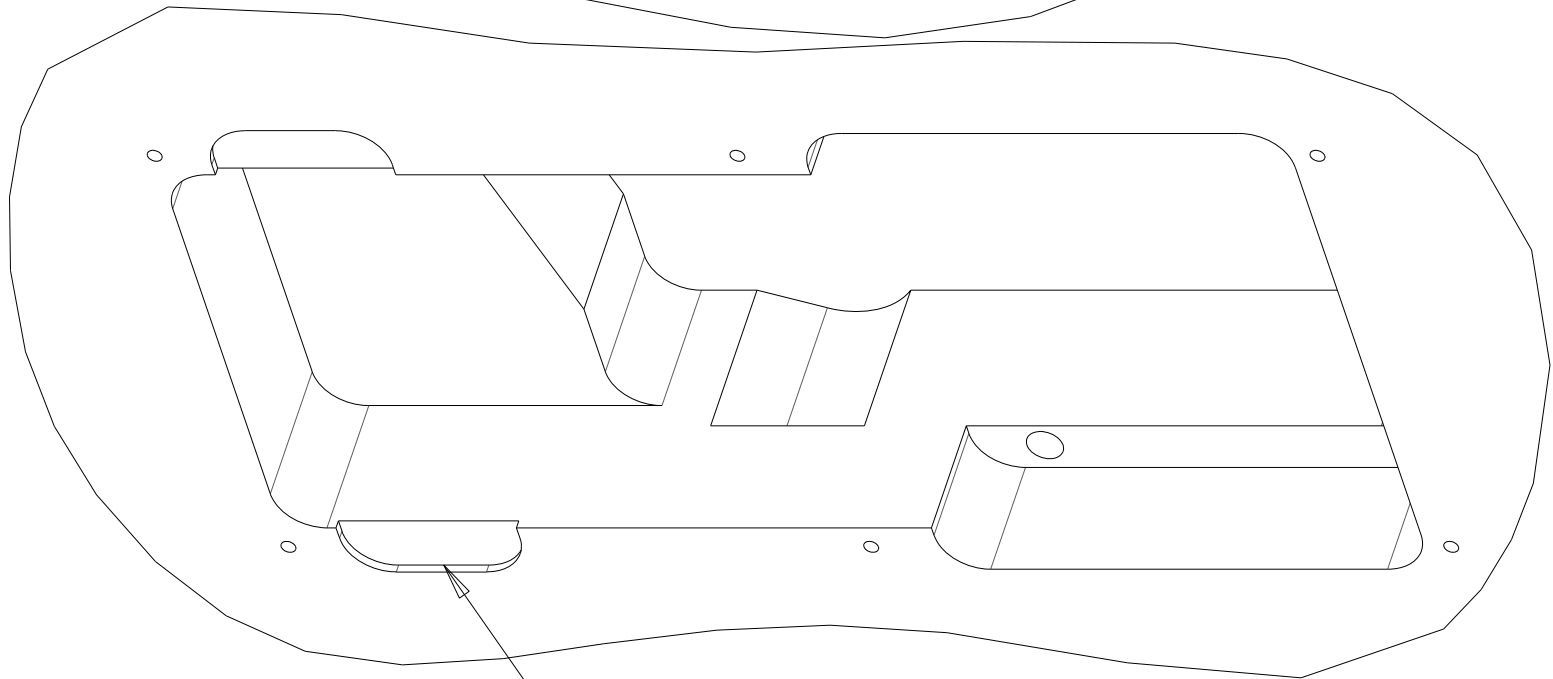


<---NUT



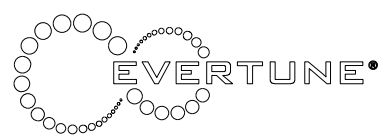
SEEN FROM ABOVE

<--- NUT



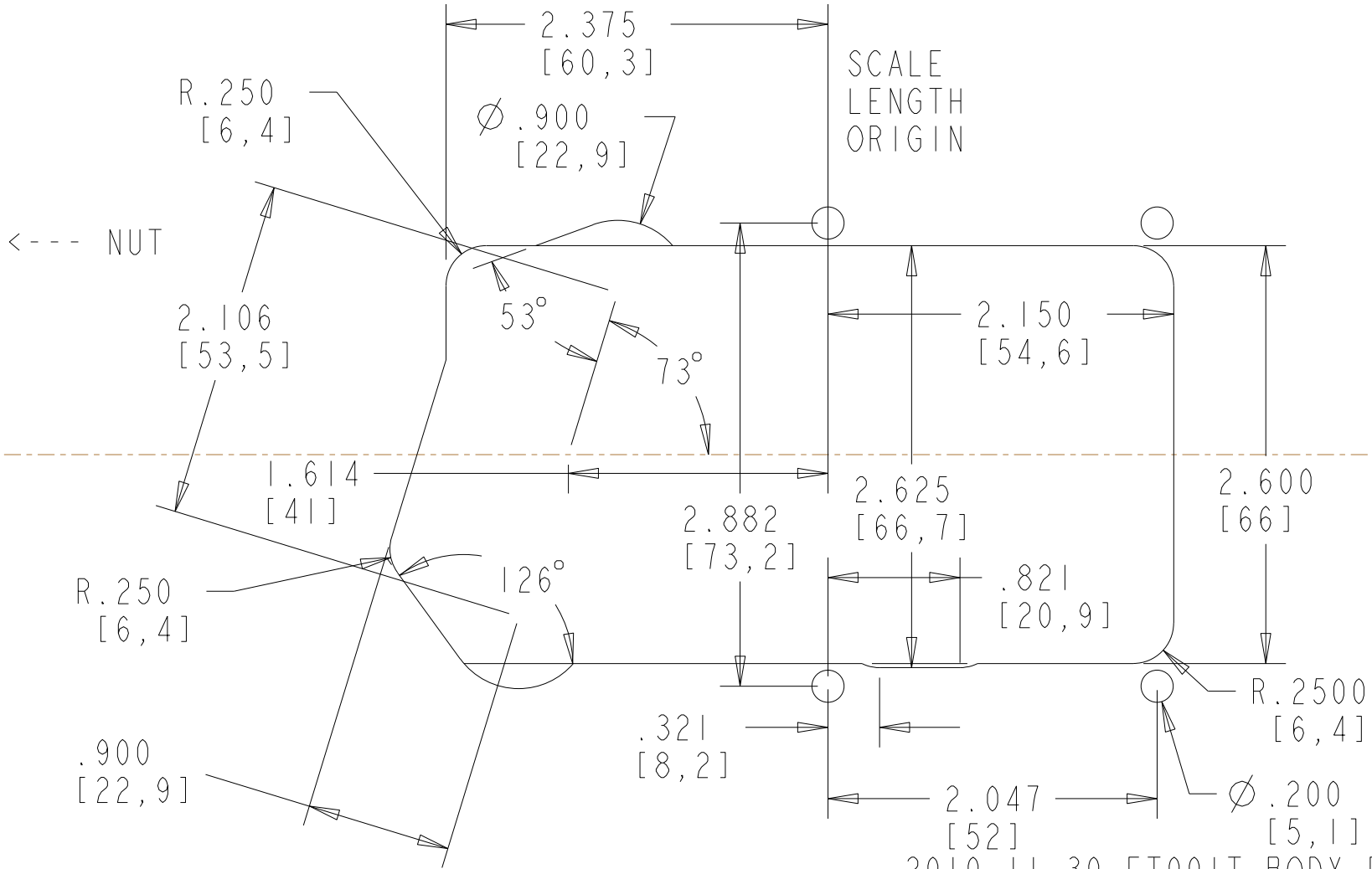
SEEN FROM BELOW

RECESS FOR  
FOOTPLATE



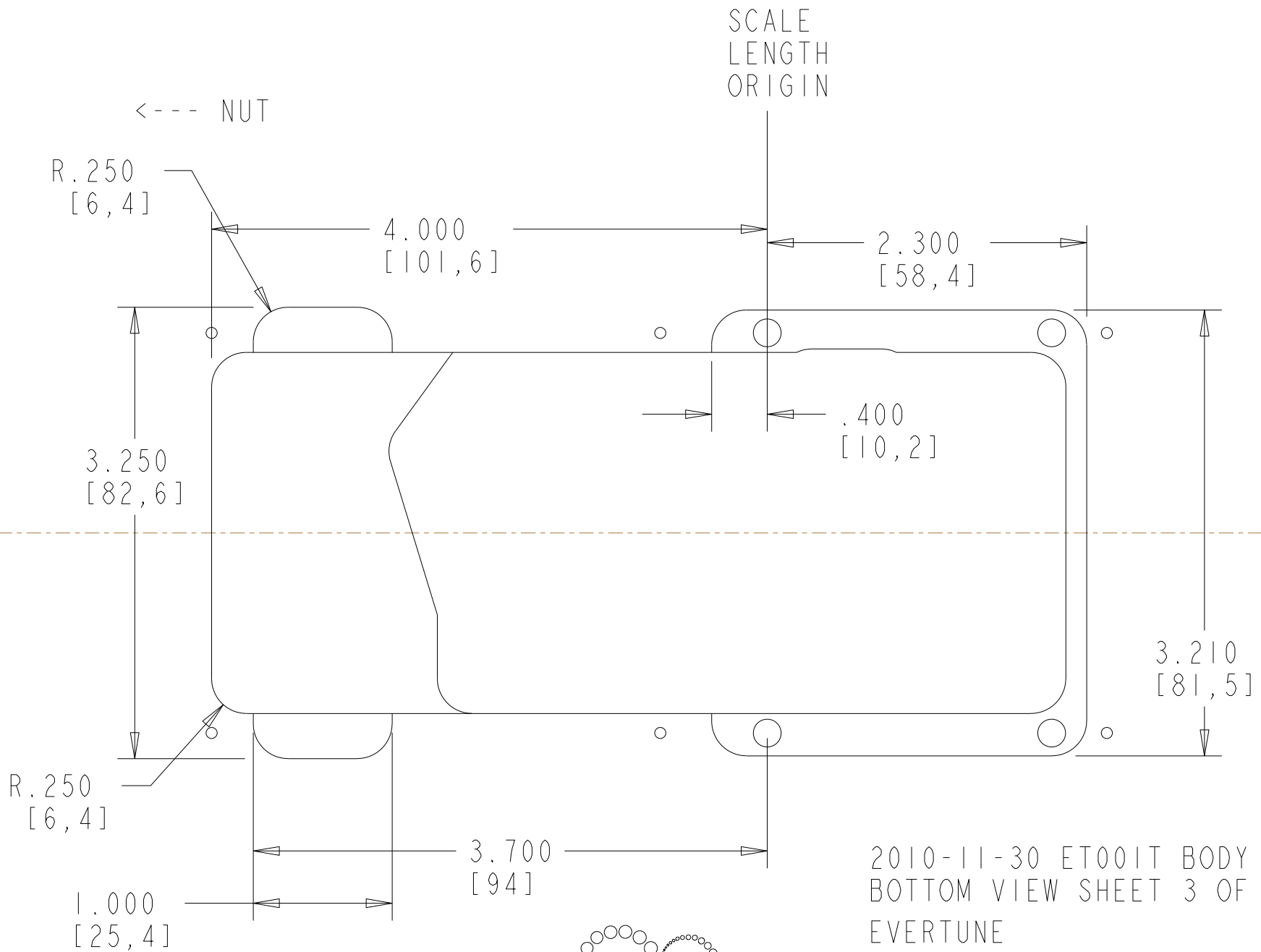
2010-11-30 ET001T BODY ROUTE  
ISOMETRIC VIEWS SHEET 1 OF 5  
EVERTUNE  
FULL SCALE  
DUAL DIMENSIONS: INCH [MM]

- 1). FOUR MOUNTING HOLES DRILLED THROUGH, MUST BE PERPENDICULAR
- 2). PICKUP POCKET ACCOUNTS FOR REVERSED BRIDGE PICKUP



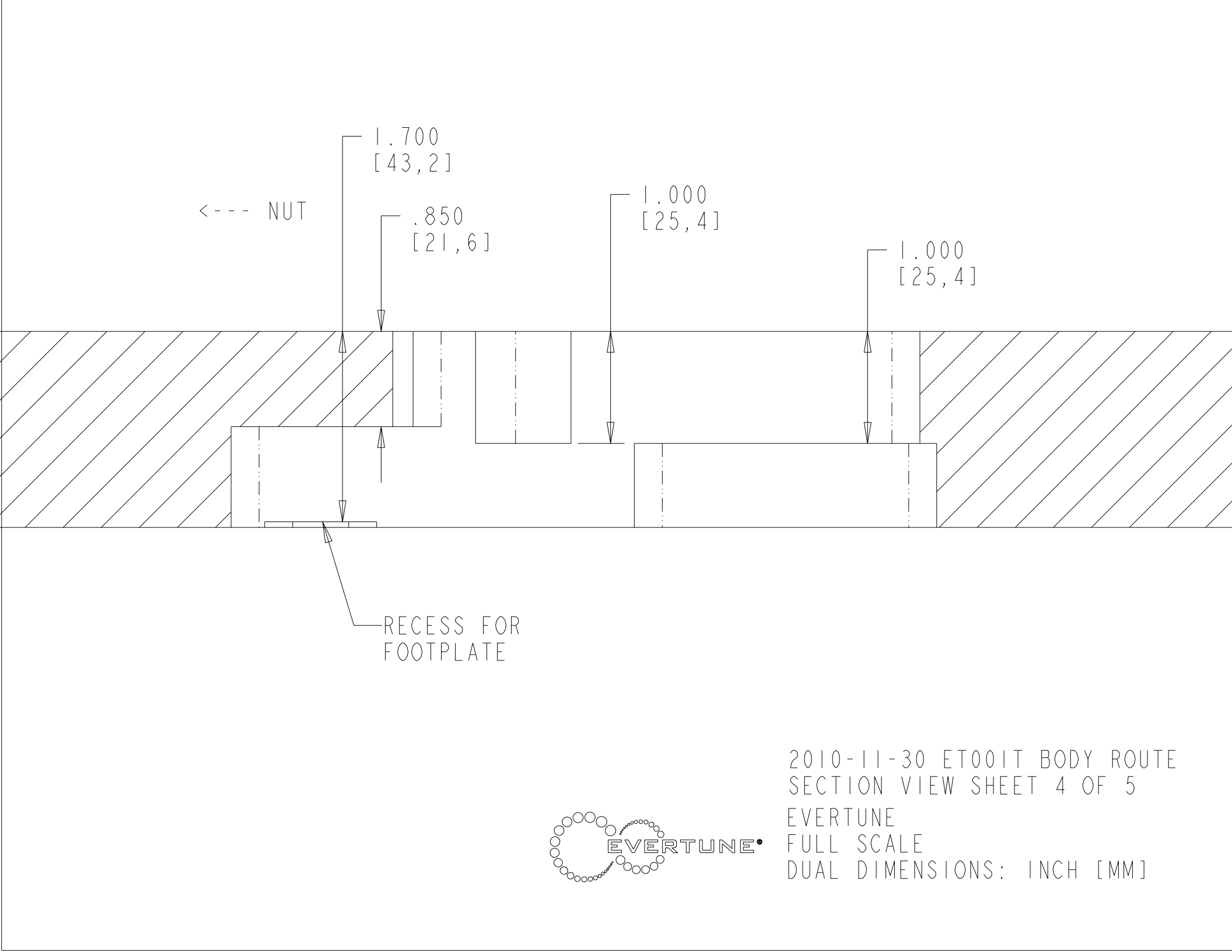
2010-11-30 ET00IT BODY ROUTE  
 TOP VIEW SHEET 2 OF 5  
 EVERTUNE  
 FULL SCALE  
 DUAL DIMENSIONS: INCH [MM]





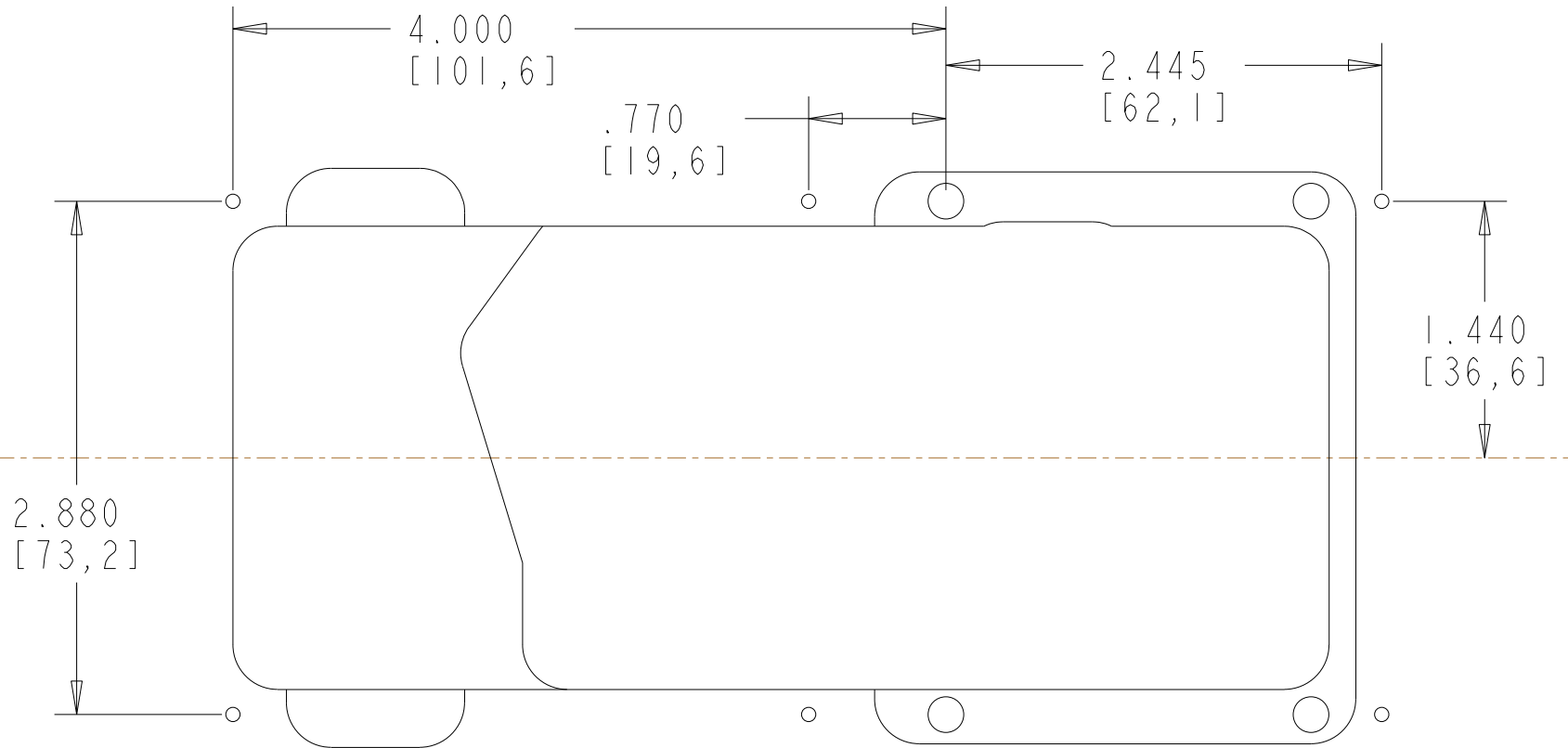
2010-11-30 ET00IT BODY ROUTE  
 BOTTOM VIEW SHEET 3 OF 5  
 EVERTUNE  
 FULL SCALE  
 DUAL DIMENSIONS: INCH [MM]





1). SPOT DRILL SIX PLACES FOR BACKPLATE SCREWS

<---NUT



2010-11-30 ET001T BODY ROUTE  
BOTTOM VIEW SHEET 5 OF 5



EVERTUNE  
FULL SCALE  
DUAL DIMENSIONS: INCH [MM]