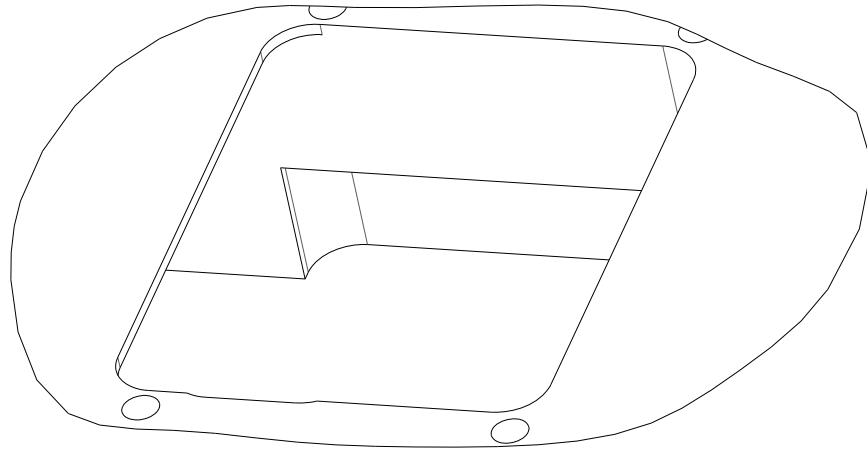
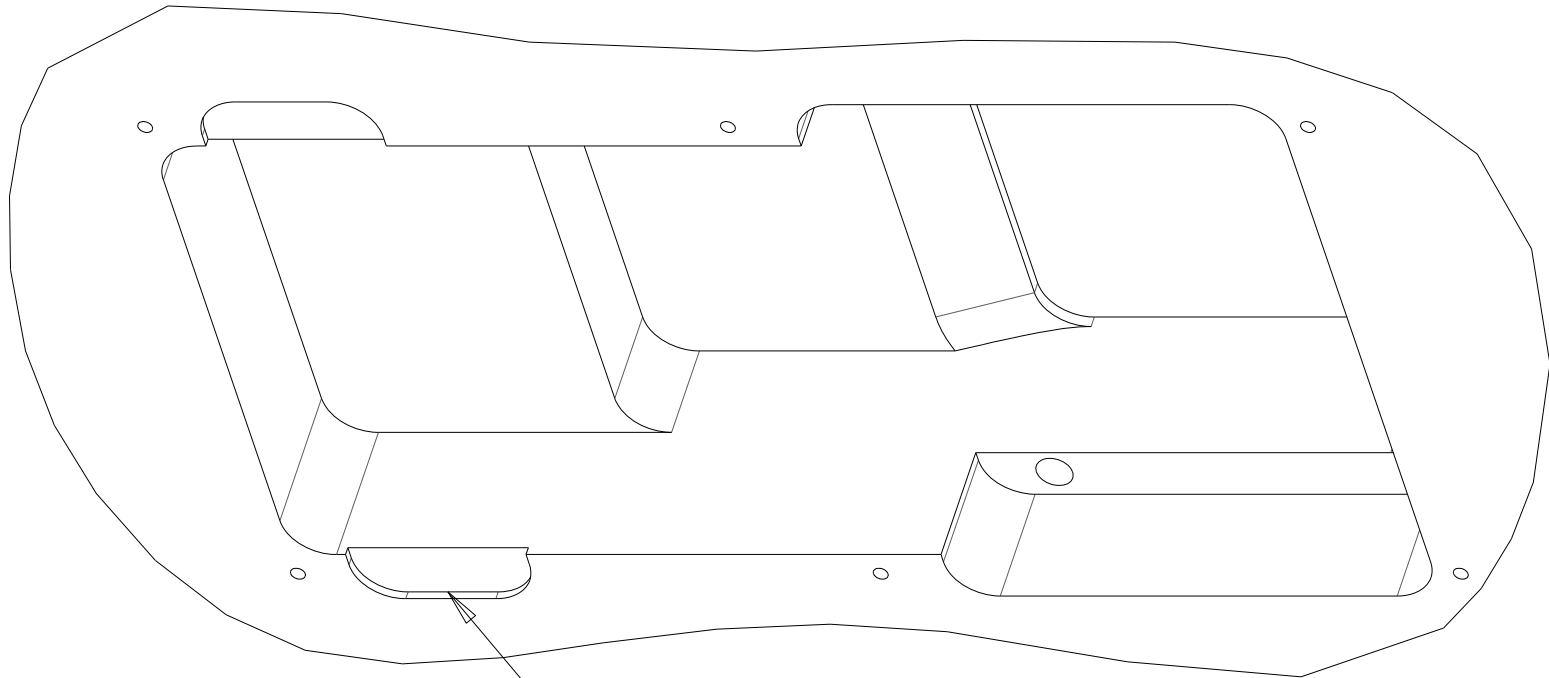


<--- NUT



SEEN FROM ABOVE

<--- NUT



SEEN FROM BELOW

RECESS FOR
FOOTPLATE

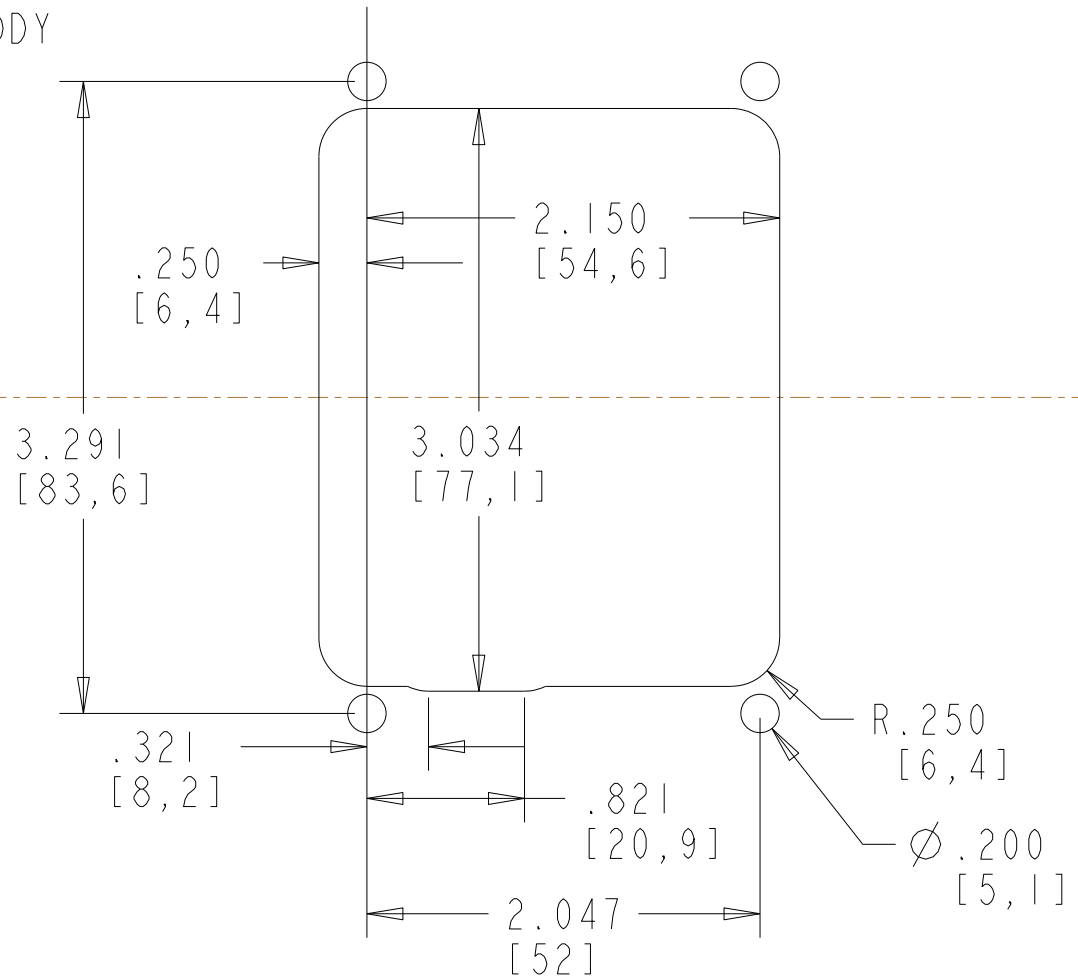


2010-11-30 ET001F BODY ROUTE
ISOMETRIC VIEWS SHEET 1 OF 5
EVERTUNE
FULL SCALE
DUAL DIMENSIONS: INCH [MM]

1). FOUR MOUNTING HOLES
AND POCKET ARE ROUTED
THROUGH FULL DEPTH OF BODY

<--- NUT

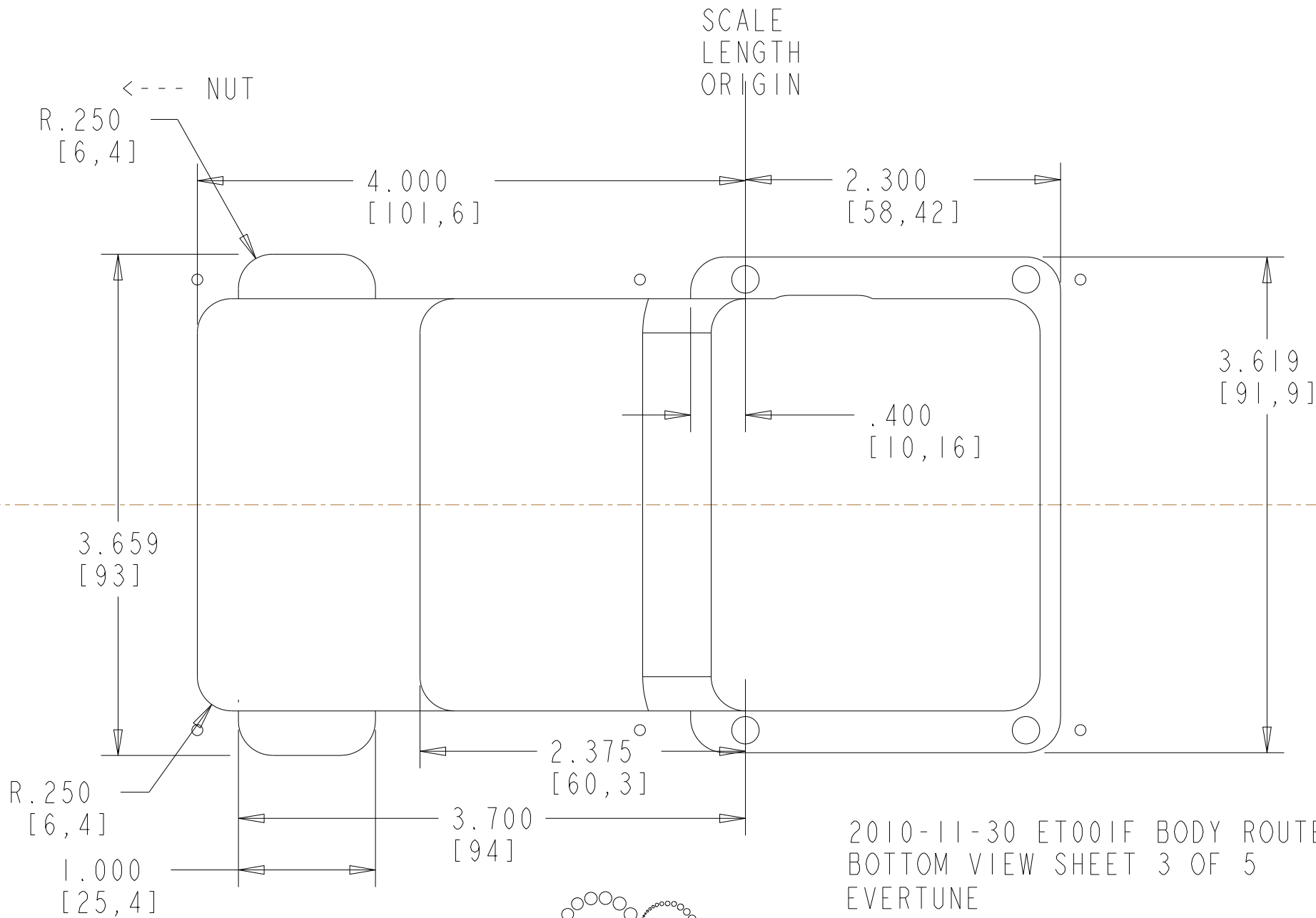
SCALE
LENGTH
ORIGIN



2010-11-30 ET001F BODY ROUTE
TOP VIEW SHEET 2 OF 5

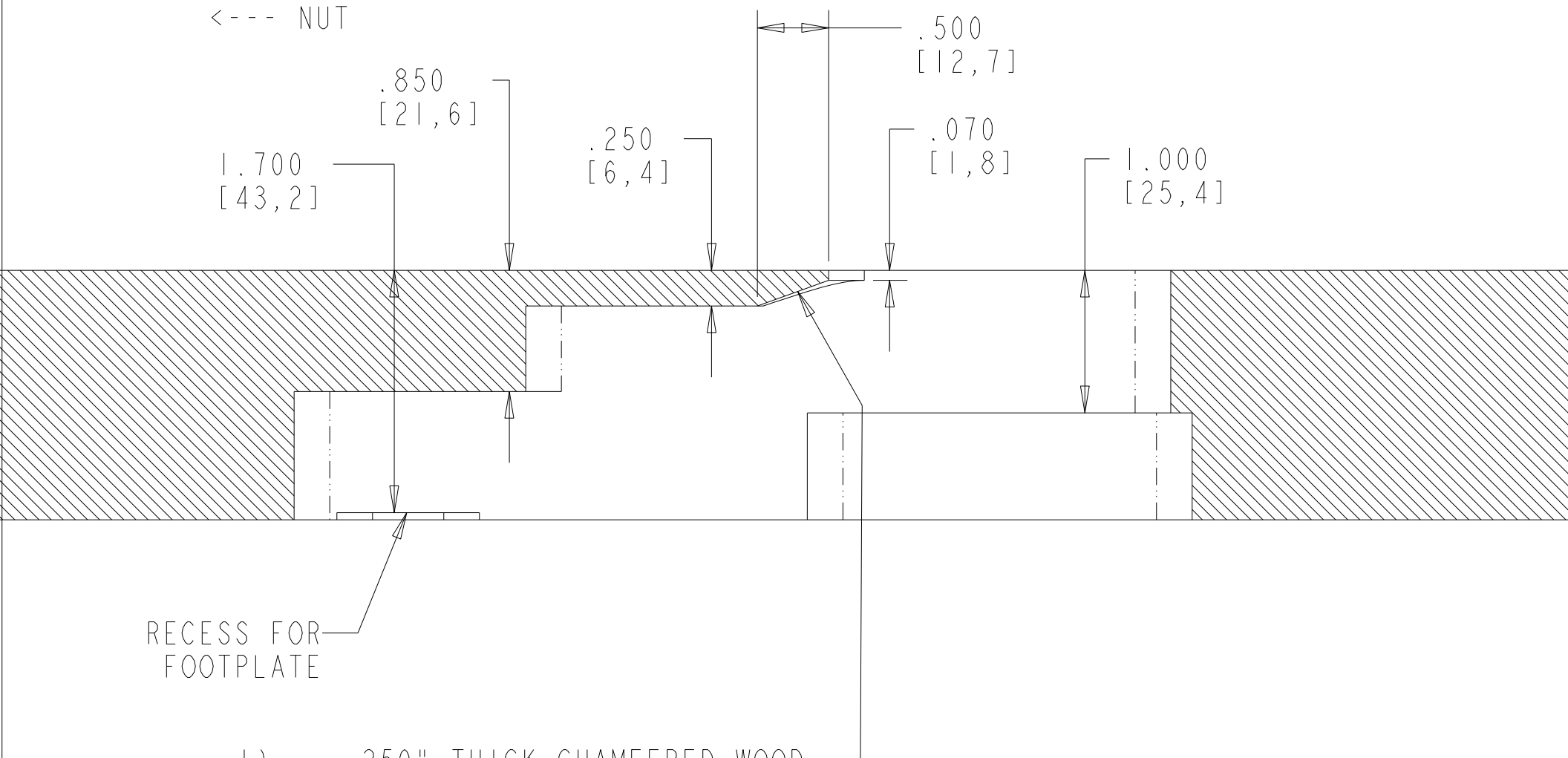


EVERTUNE
FULL SCALE
DUAL DIMENSIONS: INCH [MM]



2010-11-30 ET001F BODY ROUTE
 BOTTOM VIEW SHEET 3 OF 5
 EVERTUNE
 FULL SCALE
 DUAL DIMENSIONS: INCH [MM]

<--- NUT



RECESS FOR
FOOTPLATE

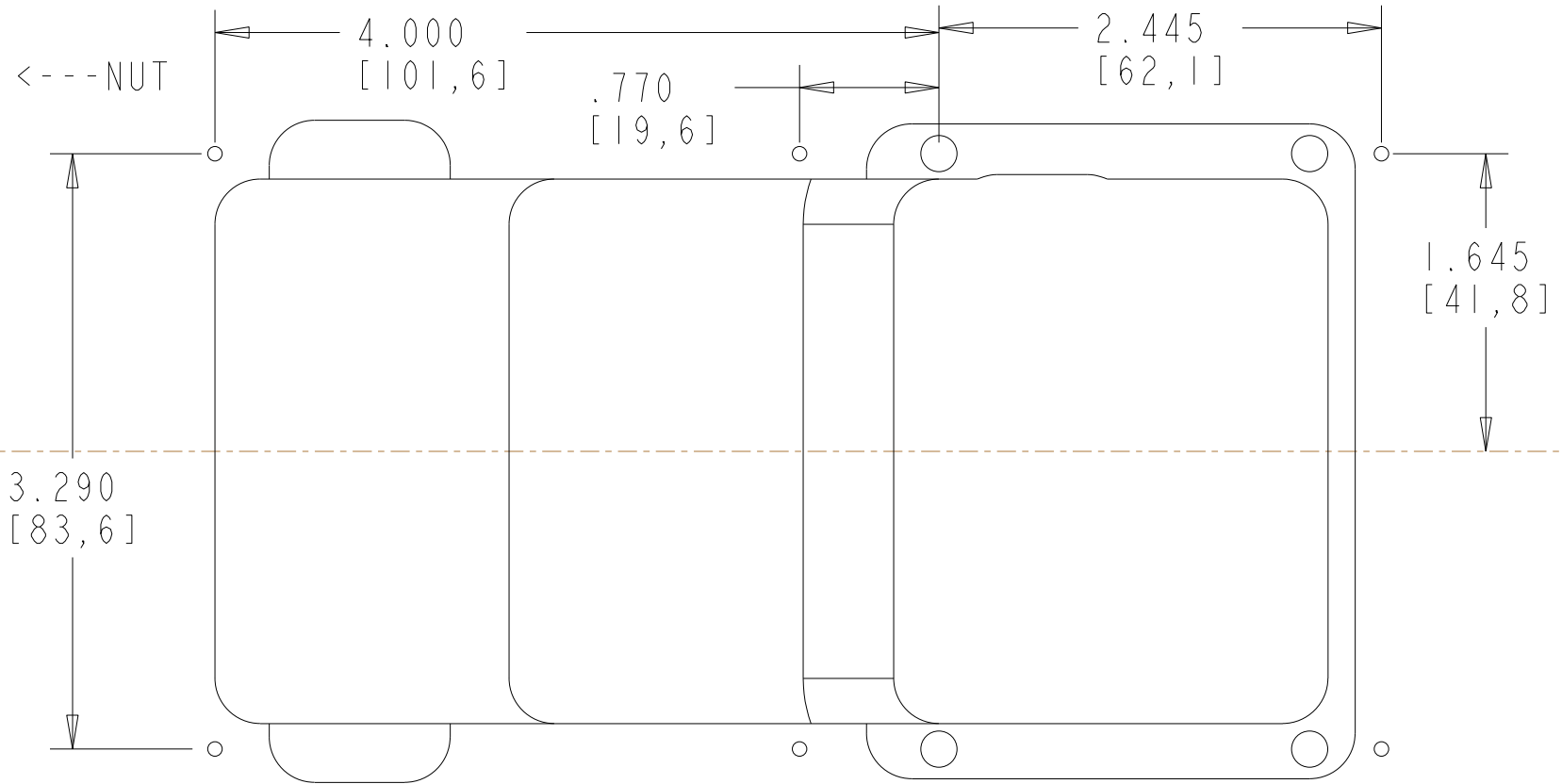
1). .250" THICK CHAMFERED WOOD
SECTION BETWEEN BRIDGE ROUTE
AND BRIDGE PICKUP CAN BE REMOVED
FOR APPLICATIONS WITH PICKGUARDS

2010-11-30 ET001F BODY ROUTE
SECTION VIEW SHEET 4 OF 5



EVERTUNE
FULL SCALE
DUAL DIMENSIONS: INCH [MM]

1). SPOT DRILL SIX PLACES FOR BACKPLATE SCREWS



2010-11-30 ET001F BODY ROUTE
BOTTOM VIEW SHEET 5 OF 5



EVERTUNE
FULL SCALE
DUAL DIMENSIONS: INCH [MM]