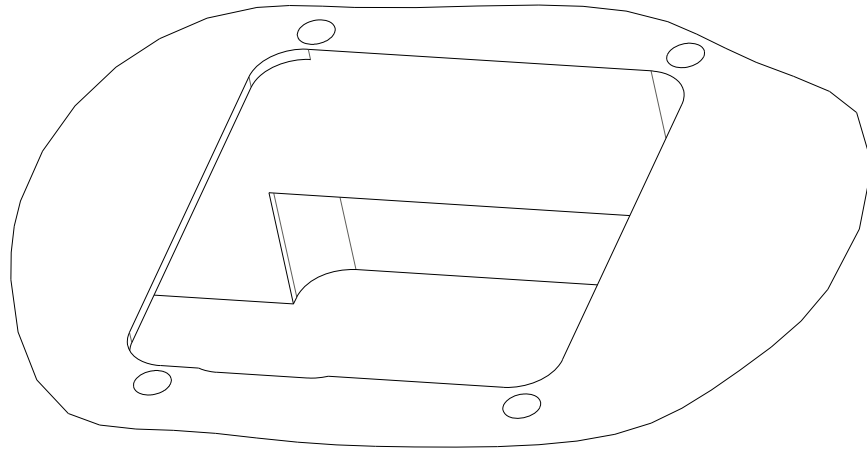
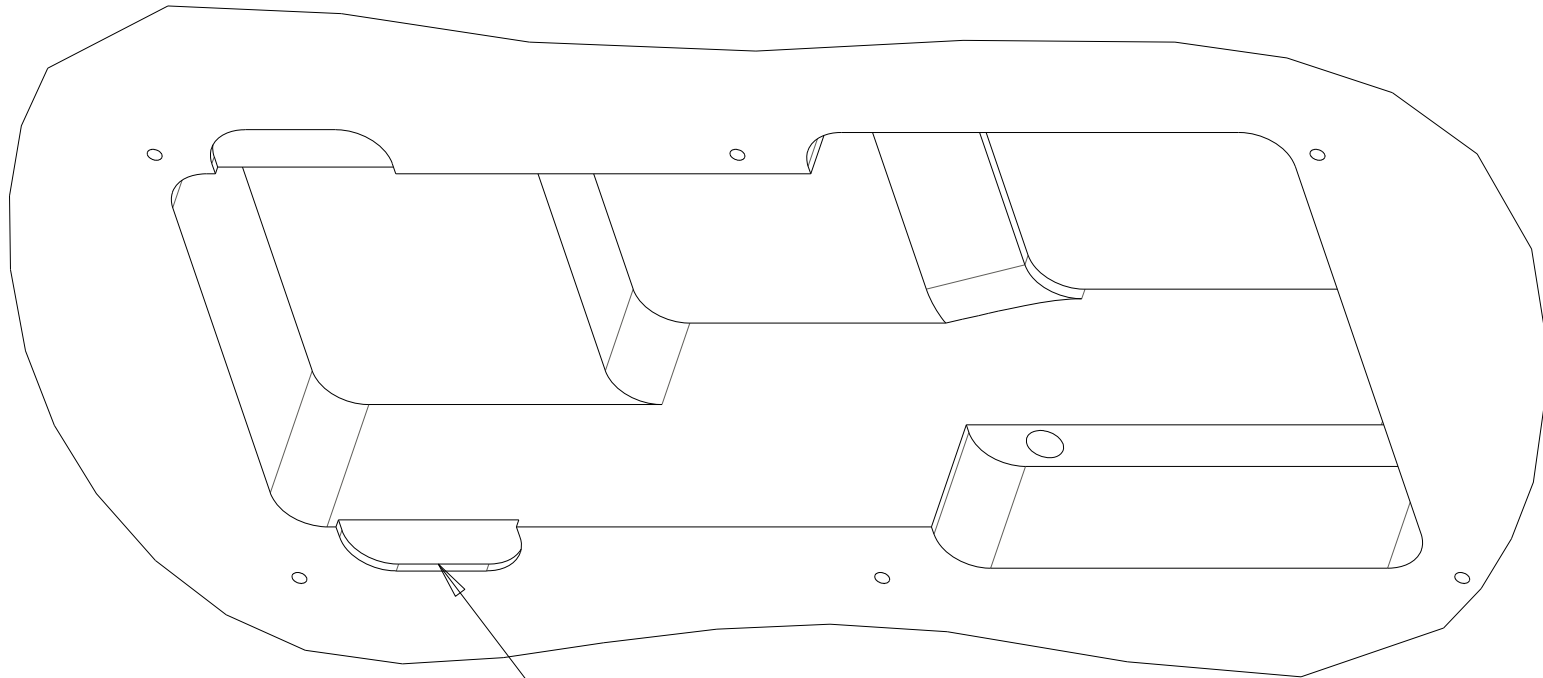


<--- NUT



SEEN FROM ABOVE

<--- NUT



SEEN FROM BELOW

RECESS FOR
FOOTPLATE

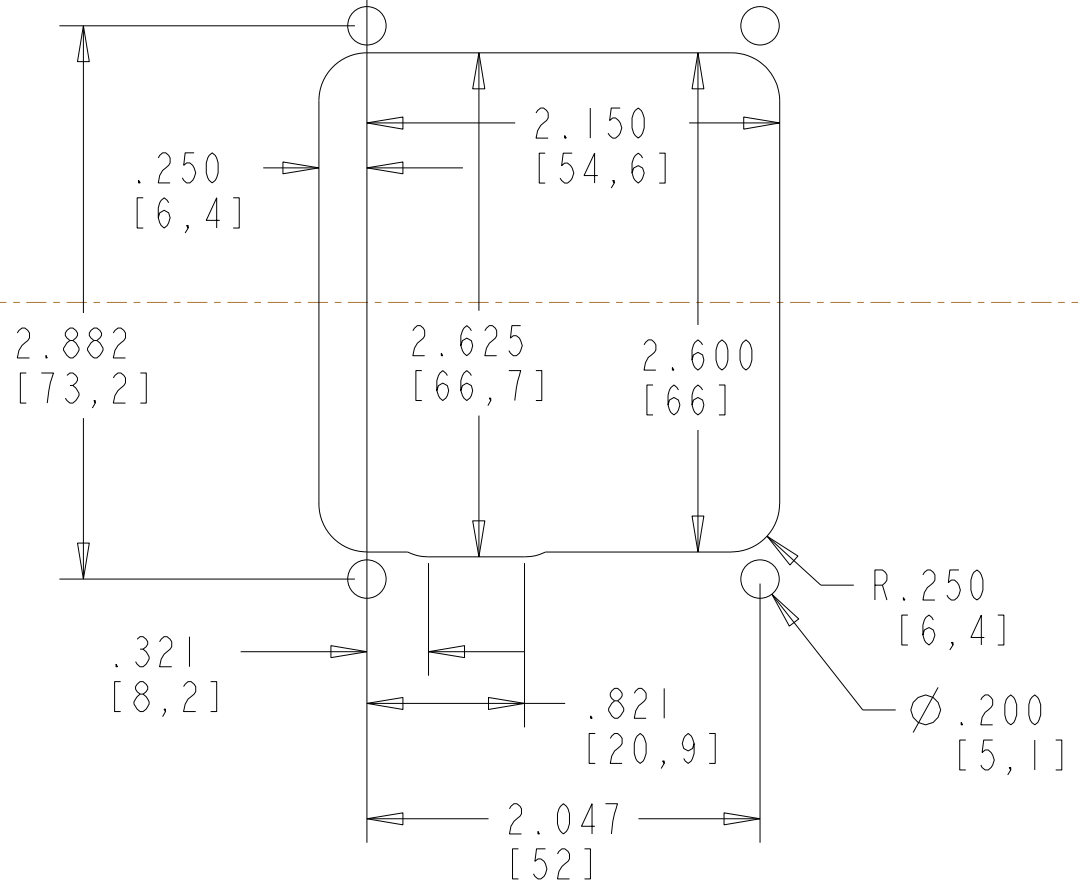


2010-11-30 ET001F BODY ROUTE
ISOMETRIC VIEWS SHEET 1 OF 5
EVERTUNE
FULL SCALE
DUAL DIMENSIONS: INCH [MM]

1). FOUR MOUNTING HOLES
AND POCKET ARE ROUTED
THROUGH FULL DEPTH OF BODY

SCALE
LENGTH
ORIGIN

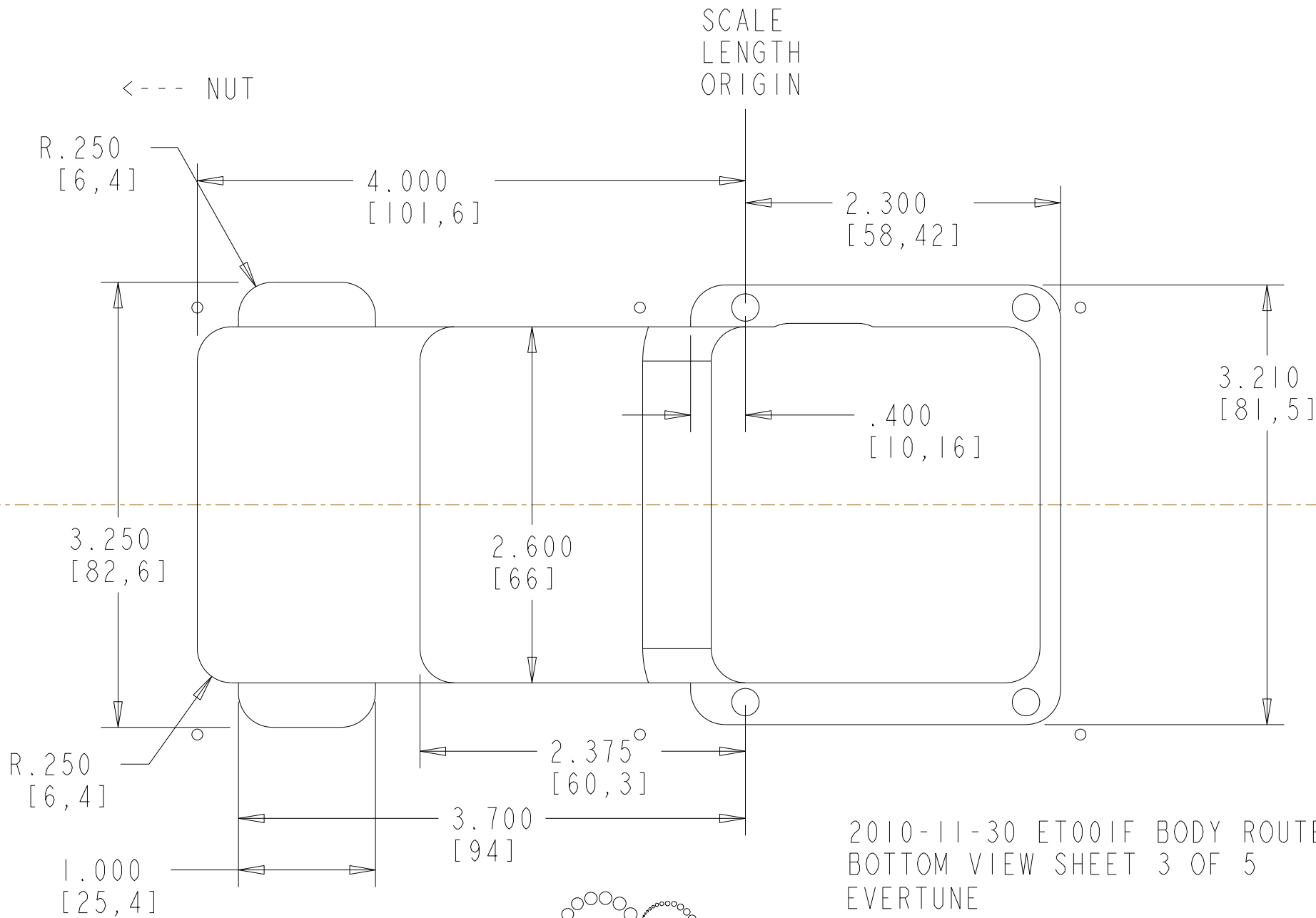
<--- NUT



2010-11-30 ET001F BODY ROUTE
TOP VIEW SHEET 2 OF 5

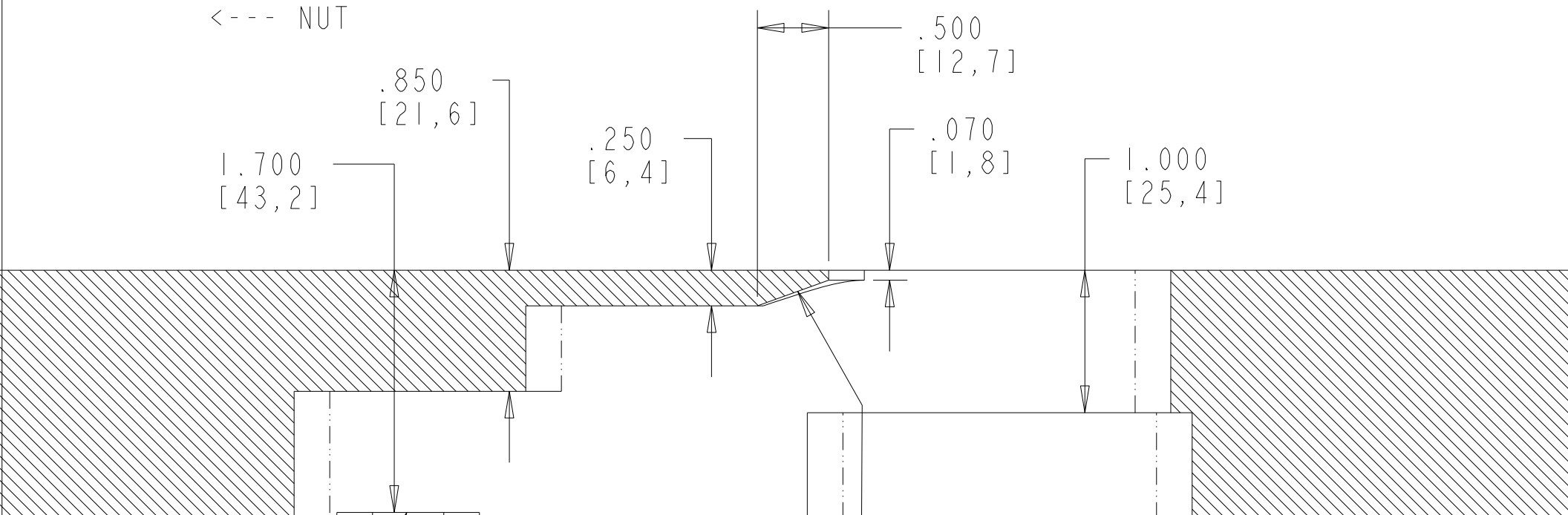


EVERTUNE
FULL SCALE
DUAL DIMENSIONS: INCH [MM]



2010-11-30 ET001F BODY ROUTE
 BOTTOM VIEW SHEET 3 OF 5
 EVERTUNE
 FULL SCALE
 DUAL DIMENSIONS: INCH [MM]





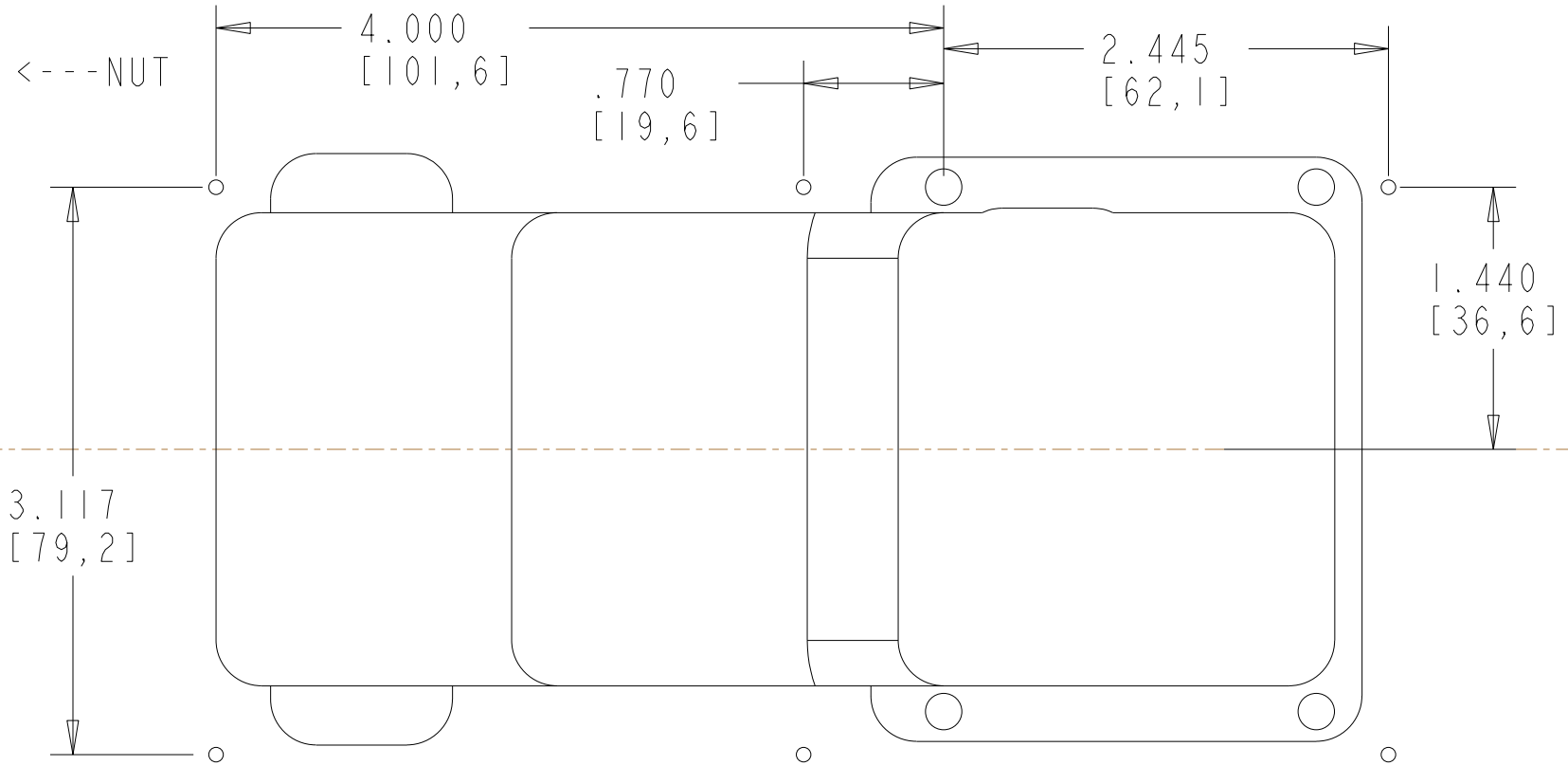
1). .250" THICK CHAMFERED WOOD SECTION BETWEEN BRIDGE ROUTE AND BRIDGE PICKUP CAN BE REMOVED FOR APPLICATIONS WITH PICKGUARDS

2010-11-30 ET001F BODY ROUTE SECTION VIEW SHEET 4 OF 5



EVERTUNE
 FULL SCALE
 DUAL DIMENSIONS: INCH [MM]

1). SPOT DRILL SIX PLACES FOR BACKPLATE SCREWS



2). FOR RETROFITS TO GUITARS ALREADY ROUTED
FOR STANDARD TREM, USE THIS
ASSYMETRICAL BACKPLATE HOLE PATTERN.

3). FOR GUITARS WITHOUT PREVIOUS TREM ROUTES,
USE HOLE PATTERN SHOWN FOR THE "ET001T"
AND USE THE SYMMETRICAL ET001T BACKPLATE.



2010-11-30 ET001F BODY ROUTE
BOTTOM VIEW SHEET 5 OF 5

EVERTUNE
FULL SCALE
DUAL DIMENSIONS: INCH [MM]