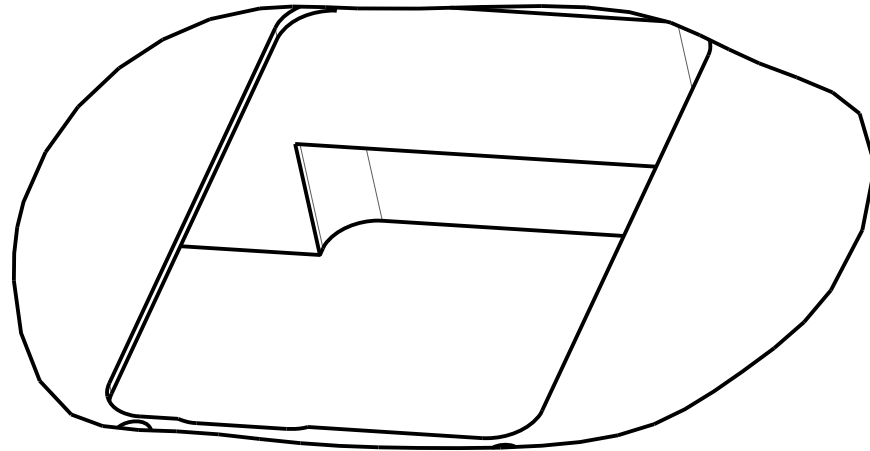
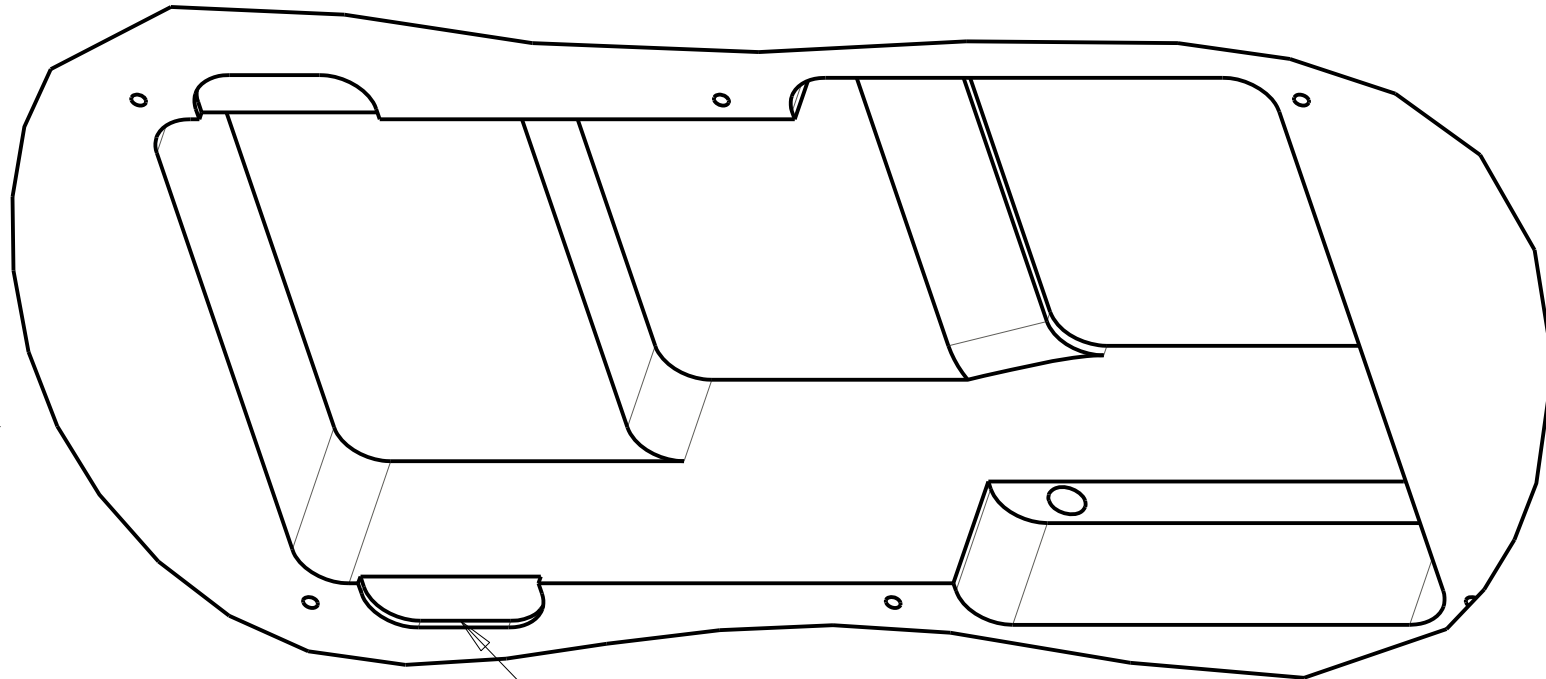


<--- NUT



SEEN FROM ABOVE

<--- NUT



SEEN FROM BELOW

RECESS FOR  
FOOTPLATE

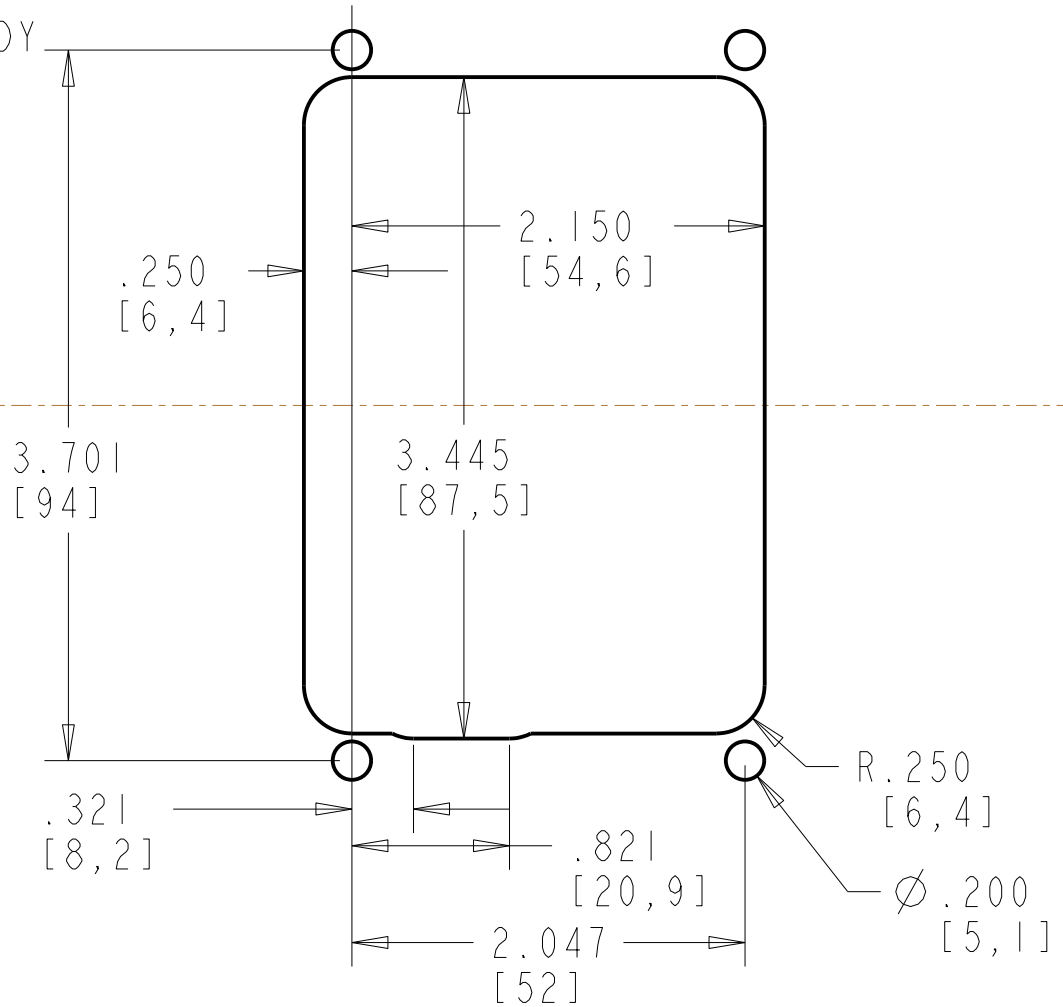


2013-08-22 ET001F8 BODY ROUTE  
ISOMETRIC VIEWS SHEET 1 OF 5  
EVERTUNE  
FULL SCALE  
DUAL DIMENSIONS: INCH [MM]

1). FOUR MOUNTING HOLES  
AND POCKET ARE ROUTED  
THROUGH FULL DEPTH OF BODY

SCALE  
LENGTH  
ORIGIN

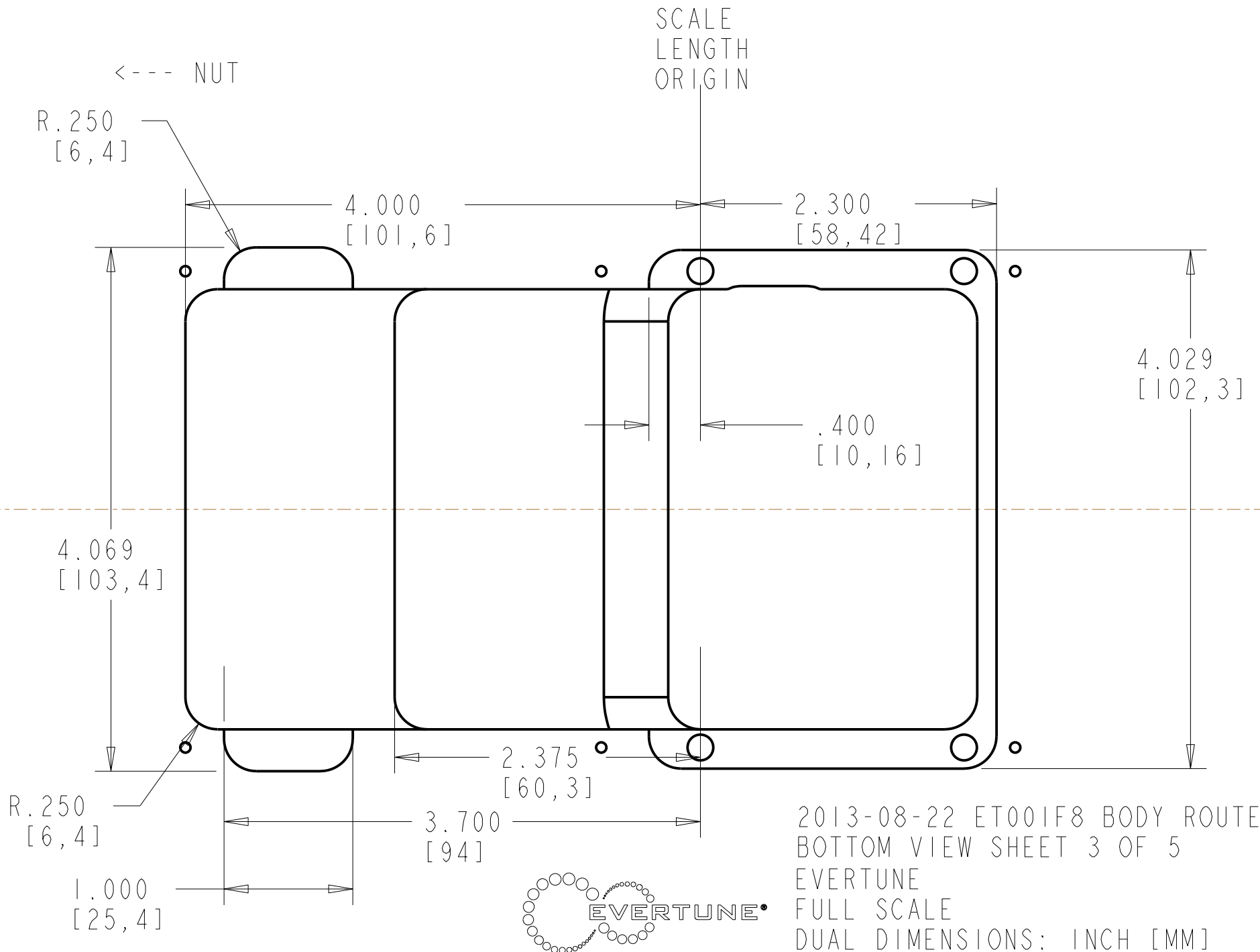
<--- NUT



2013-08-22 ET001F8 BODY ROUTE  
TOP VIEW SHEET 2 OF 5



EVERTUNE  
FULL SCALE  
DUAL DIMENSIONS: INCH [MM]



<--- NUT

1.700 [43,2]  
.850 [21,6]  
.250 [6,4]  
.500 [12,7]  
.070 [1,8]  
1.000 [25,4]

RECESS FOR  
FOOTPLATE

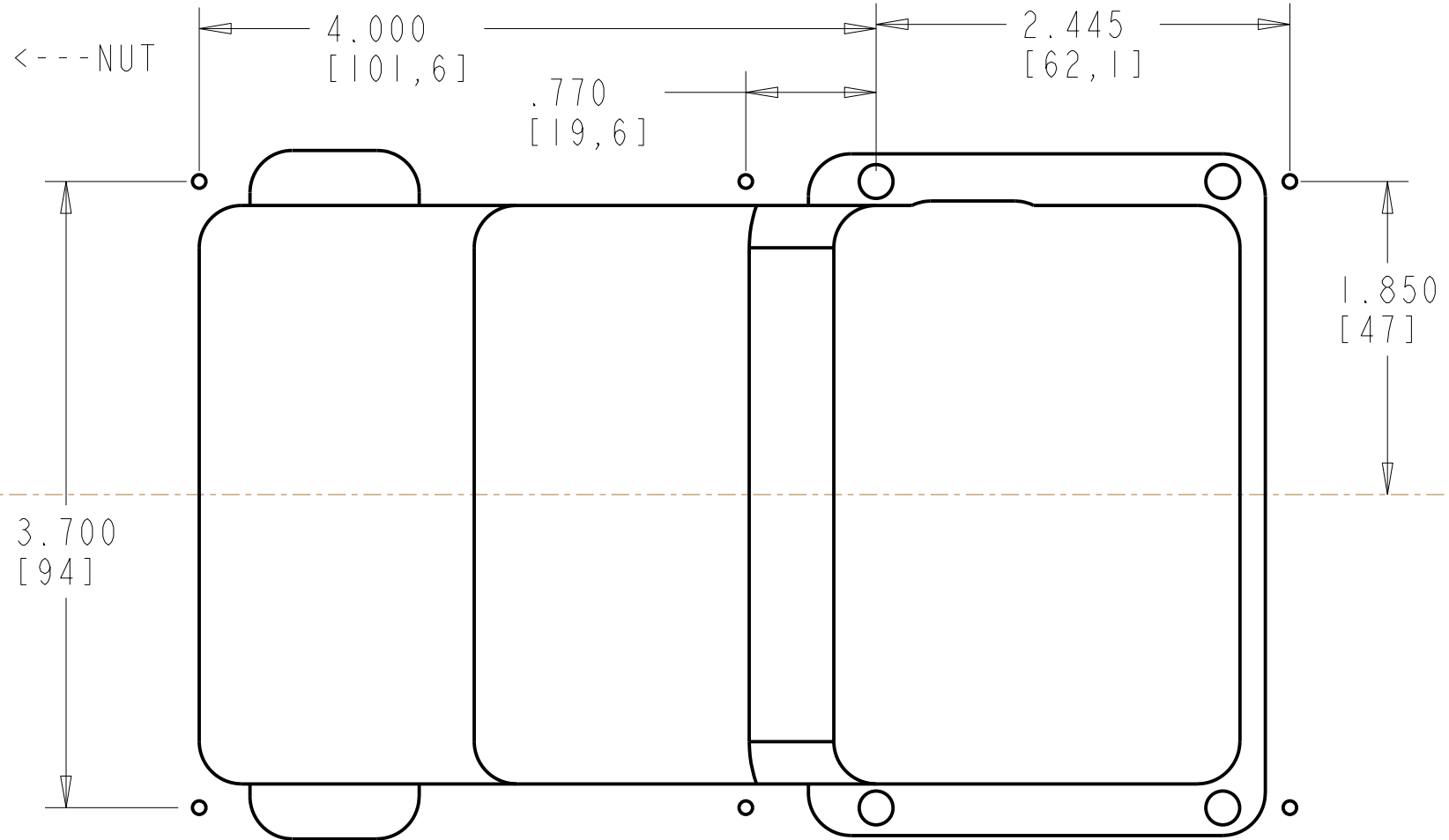
1). .250" THICK CHAMFERED WOOD  
SECTION BETWEEN BRIDGE ROUTE  
AND BRIDGE PICKUP CAN BE REMOVED  
FOR APPLICATIONS WITH PICKGUARDS



2013-08-22 ET001F8 BODY ROUTE  
SECTION VIEW SHEET 4 OF 5

EVERTUNE  
FULL SCALE  
DUAL DIMENSIONS: INCH [MM]

1). SPOT DRILL SIX PLACES FOR BACKPLATE SCREWS



2013-08-22 ET001F8 BODY ROUTE  
BOTTOM VIEW SHEET 5 OF 5



EVERTUNE  
FULL SCALE  
DUAL DIMENSIONS: INCH [MM]